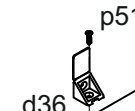
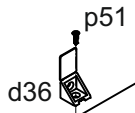
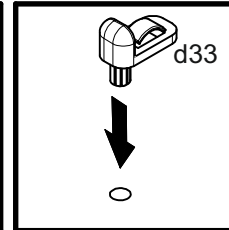
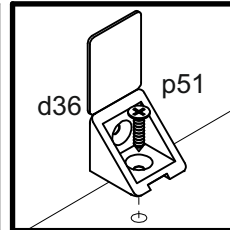
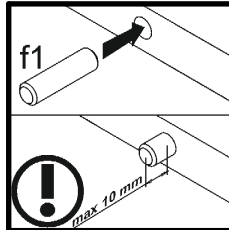
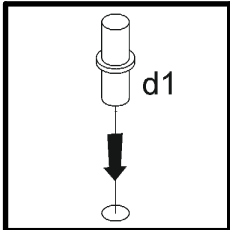
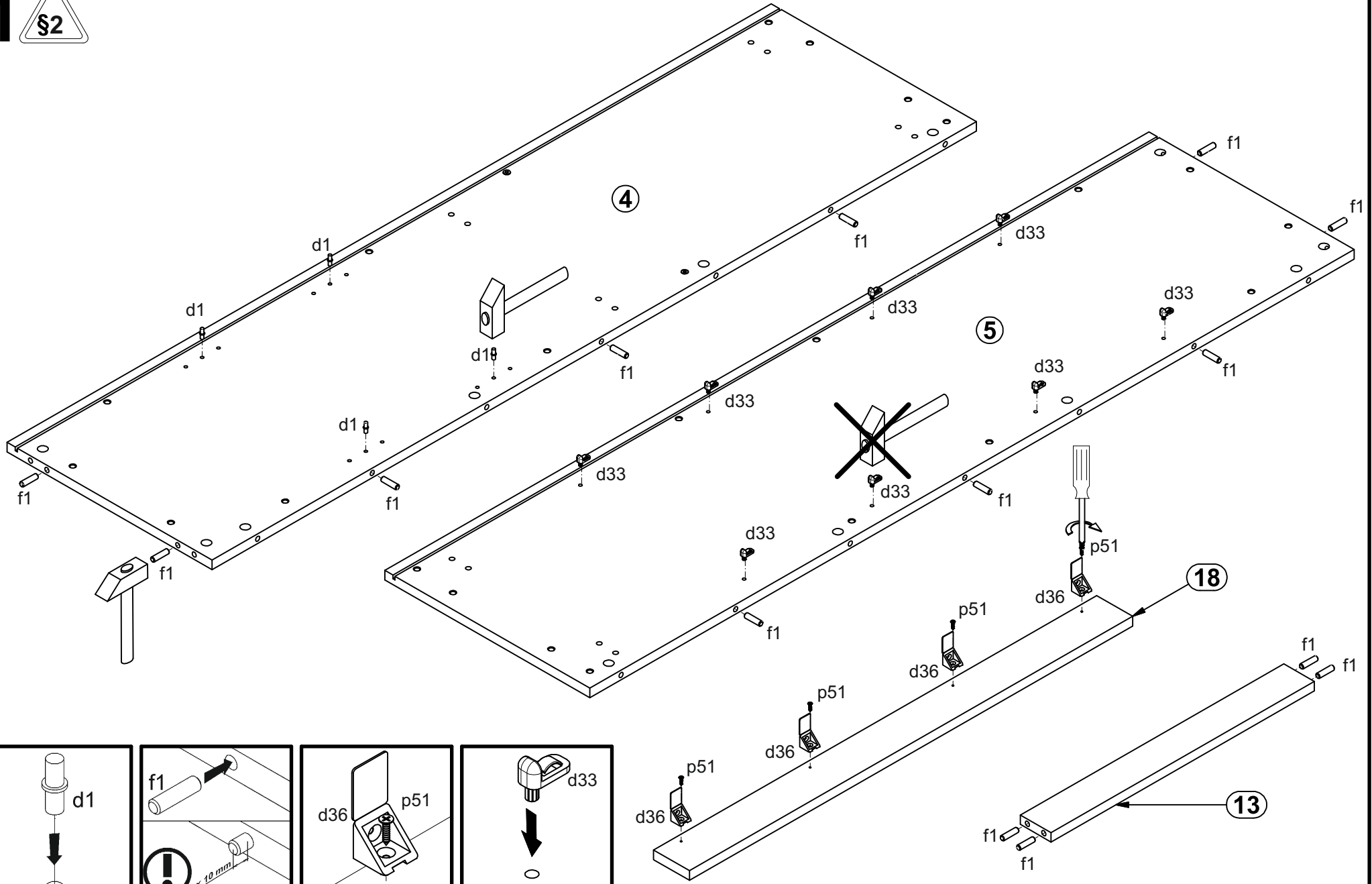


A	B	C (mm)		D	A	B	C (mm)		D
26	S228-951	1420	284	3/3	1	S228-0003A	514	248	3/3
27	S228-9945A	460	350	2/3	2	S228-0070	1330	460	3/3
28	S228-512N	350	160	1/3	3	S228-005	746	514	3/3
29	S228-513N	350	160	1/3	4	S228-104	1494	401	2/3
30	S228-514N	468	160	2/3	5	S228-105	1494	401	2/3
31	S228-952	1420	284	3/3	6	S228-106A	570	351	1/3
32	Lh-1390	1390	14	3/3	7	S228-107A	1400,5	381	1/3
8	S228-202	1106	401	2/3	9	S228-3305	1074	381	1/3
10	S228-3306	556	381	1/3	11	S228-307	495	371	1/3
12	S228-308	555	376	1/3	13	S228-4404	508	60	3/3
14	S228-531	147	100	2/3	15	S228N-5506	401	80	2/3
16	S228N-5508	285	80	2/3	17	S228N-5510	1151	80	2/3
18	S228N-5511	990	80	2/3	19	S228N-5512	1072	60	3/3
20	S228N-5513	1490	80	2/3	21	S228N-5514	1490	80	2/3
22	S228N-5515	1490	58	2/3	23	S228N-5516	1500	58	2/3
24	S228N-5517	517,5	60	2/3	25	S228-903	1420	515	3/3

**cm**  
0 1 2 3 4 5 6 7 8 9 10

5x a132	2x a133	5x b43	4x c280/1	8x d1	16x d33	4x d36	9x e1
10x e2	12x e3	24x e22	37x f1	16x f13	8x f25	8x j30	7x k1
2x k101	18x l1	2x l121	2x l122	16x l2	4x o21	11x n108	1x f35
1x n14	1x p17	8x p1	3x p9	4x p25	12x p140	10x p38	18x p51
11x p55	4x p79	27x r1	27x r42	14x s1	10x s2	2x t19	4x w207/1
4x w207/1	1x z1	1x z15					

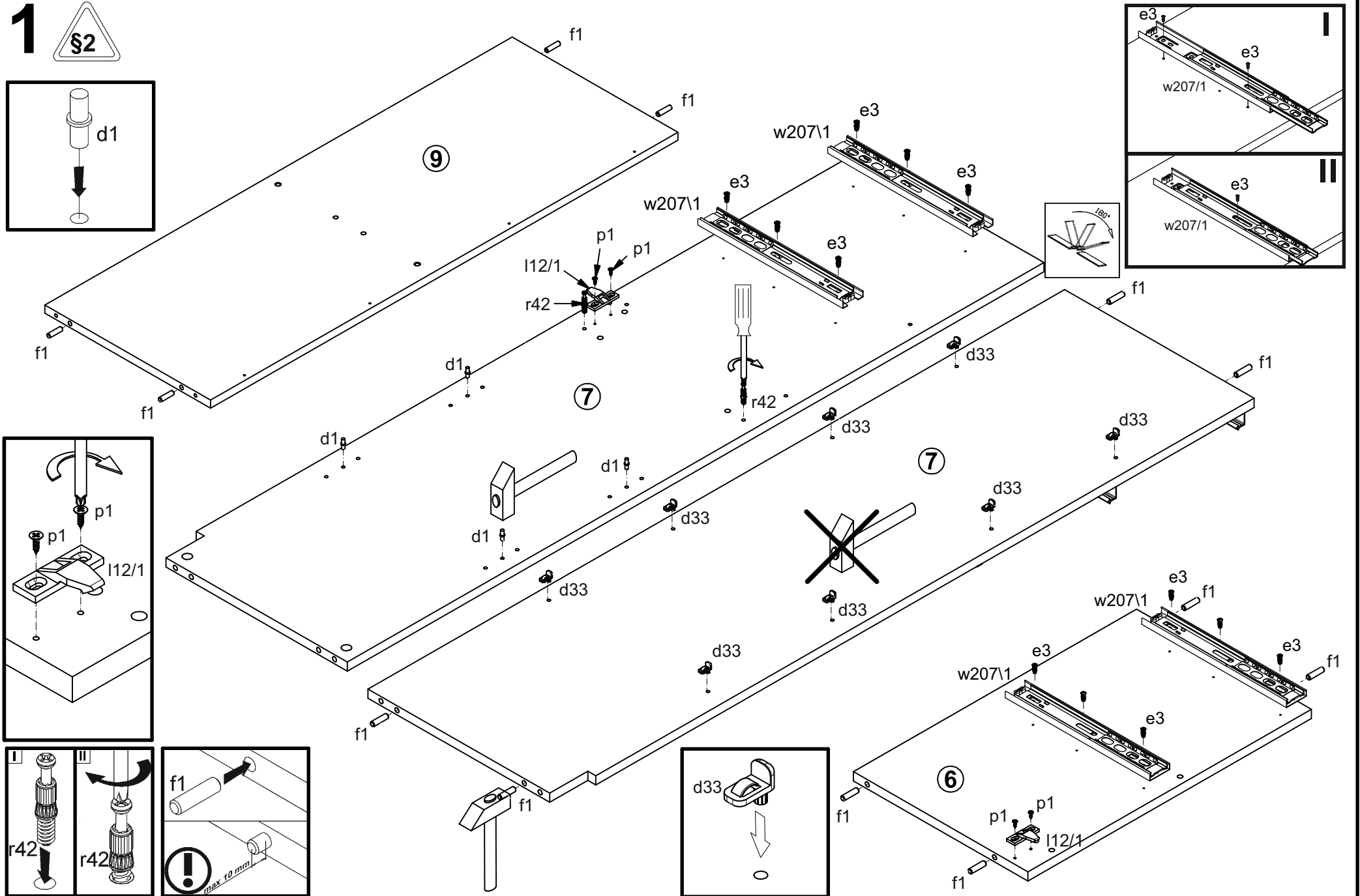
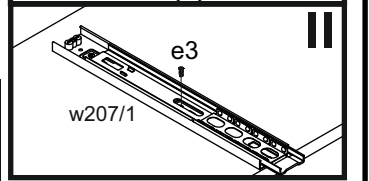
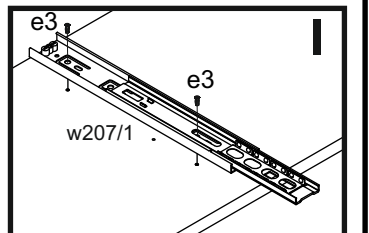
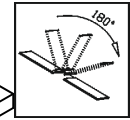
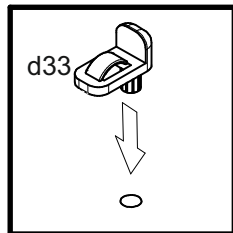
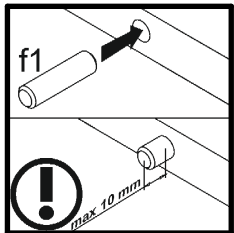
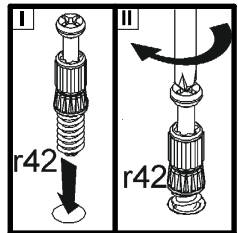
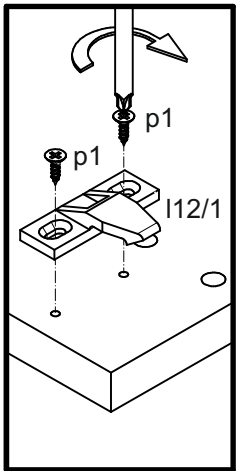
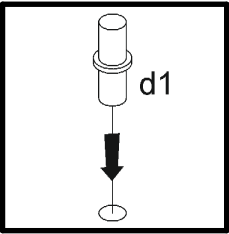
**1** 



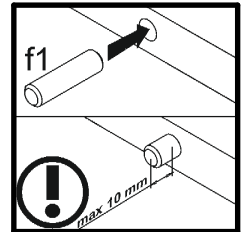
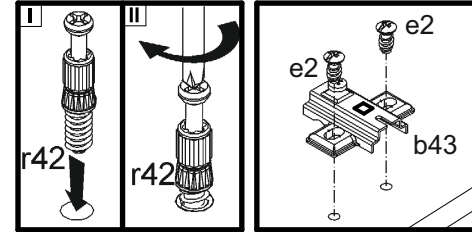
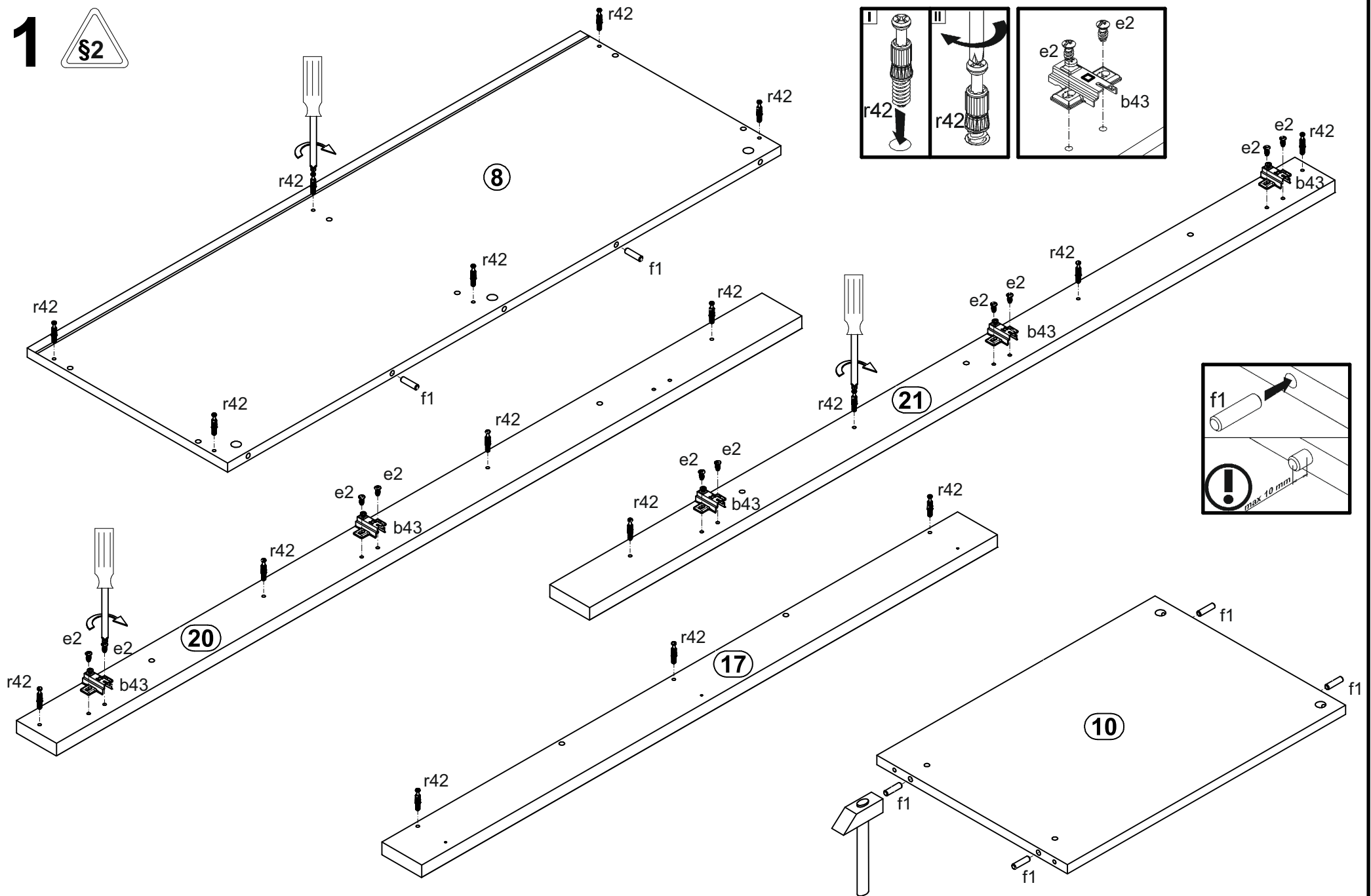
**18**

**13**

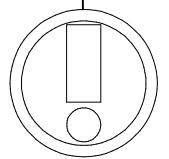
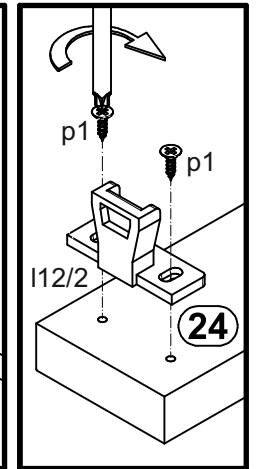
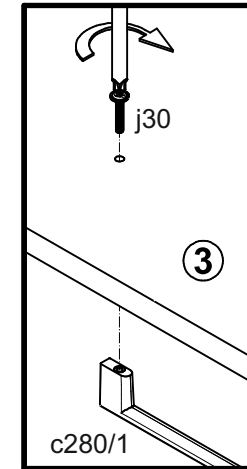
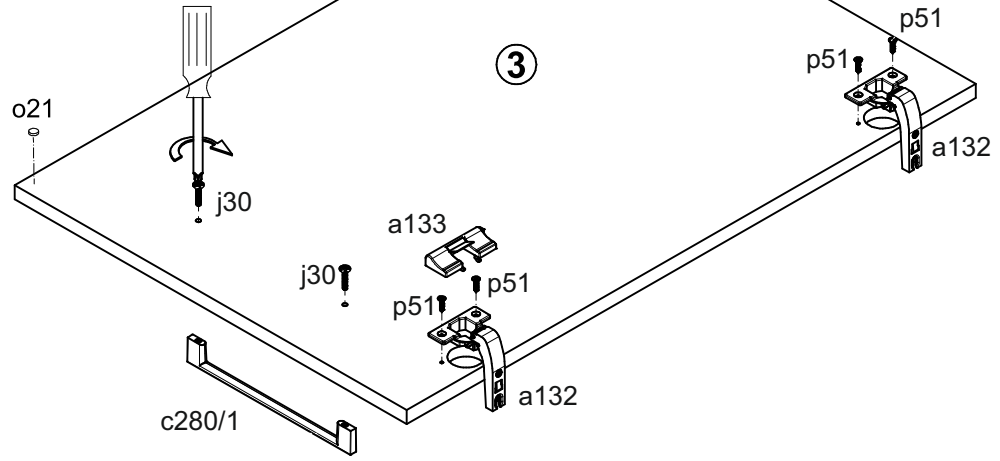
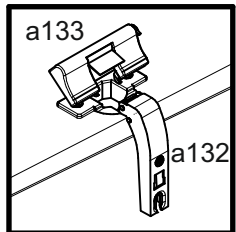
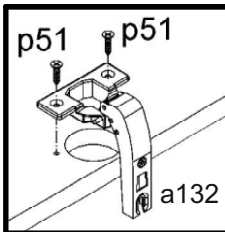
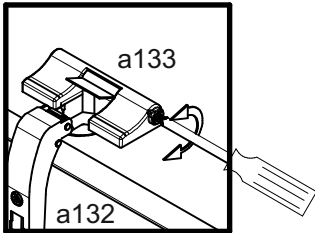
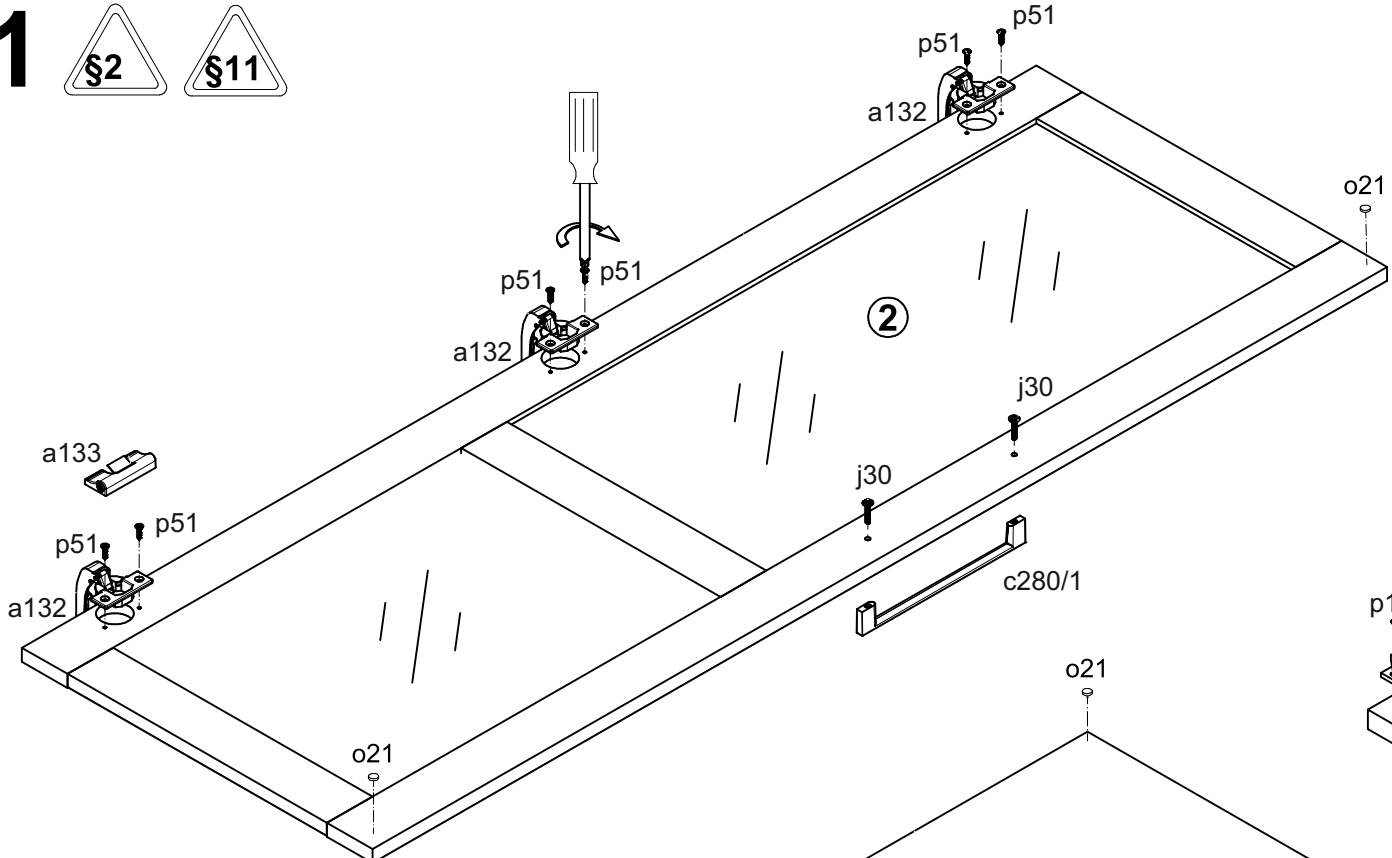
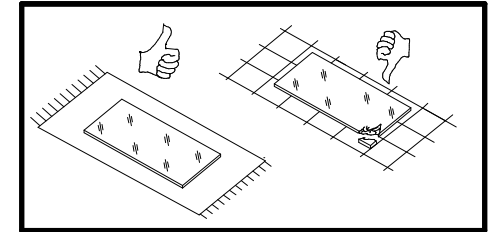
1

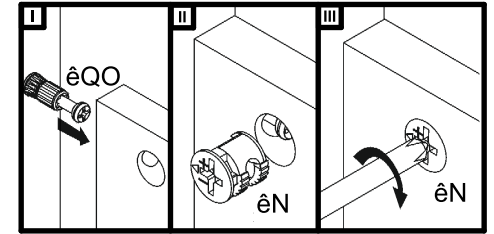
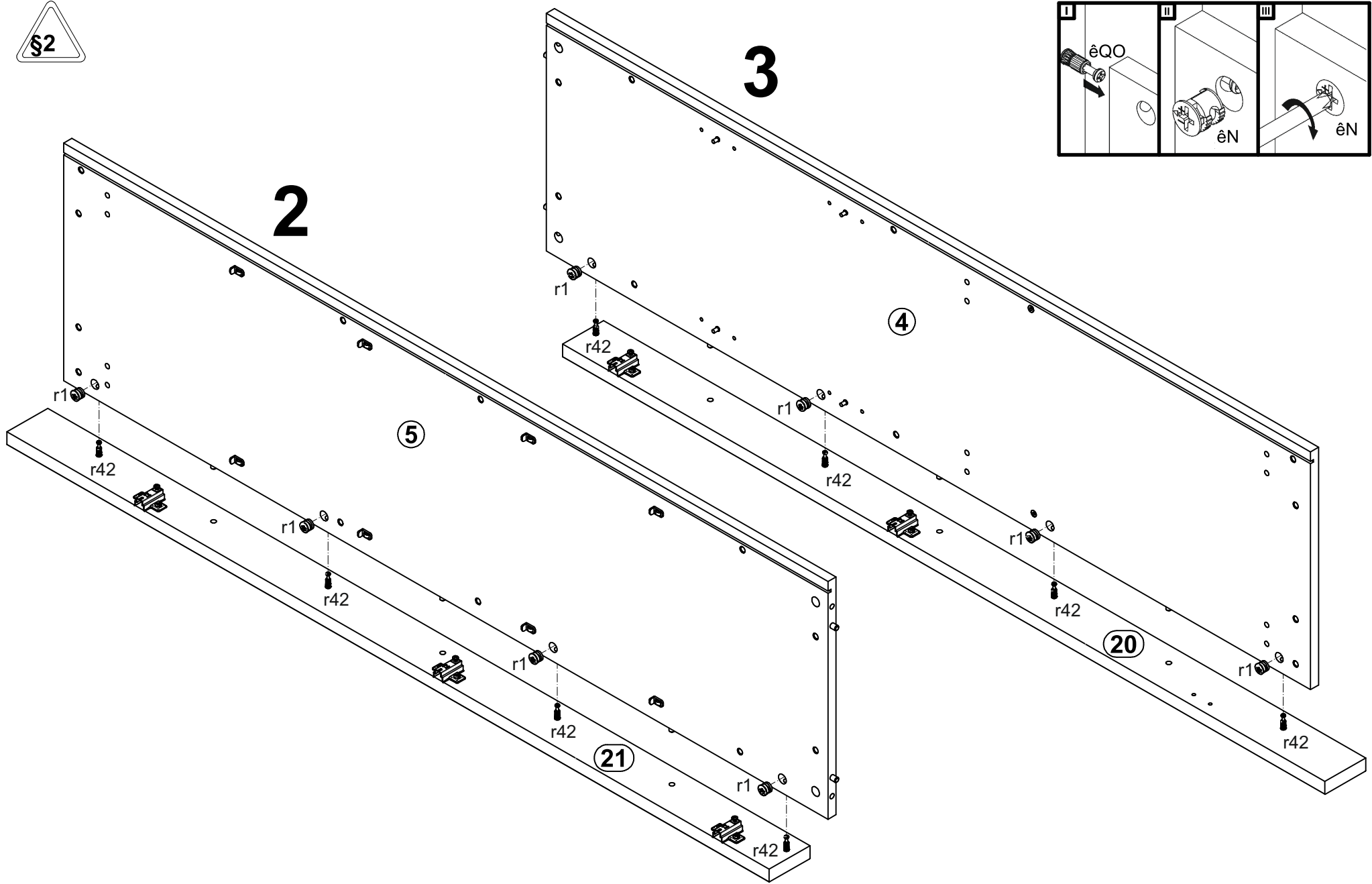


**1** 



**1** §2 §11



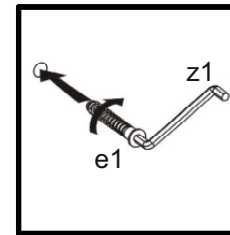
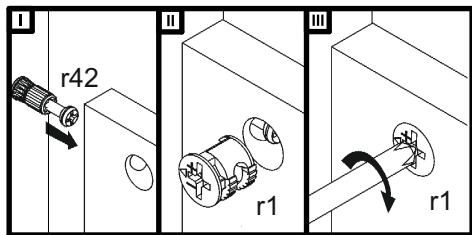
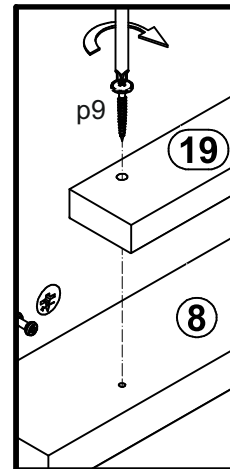
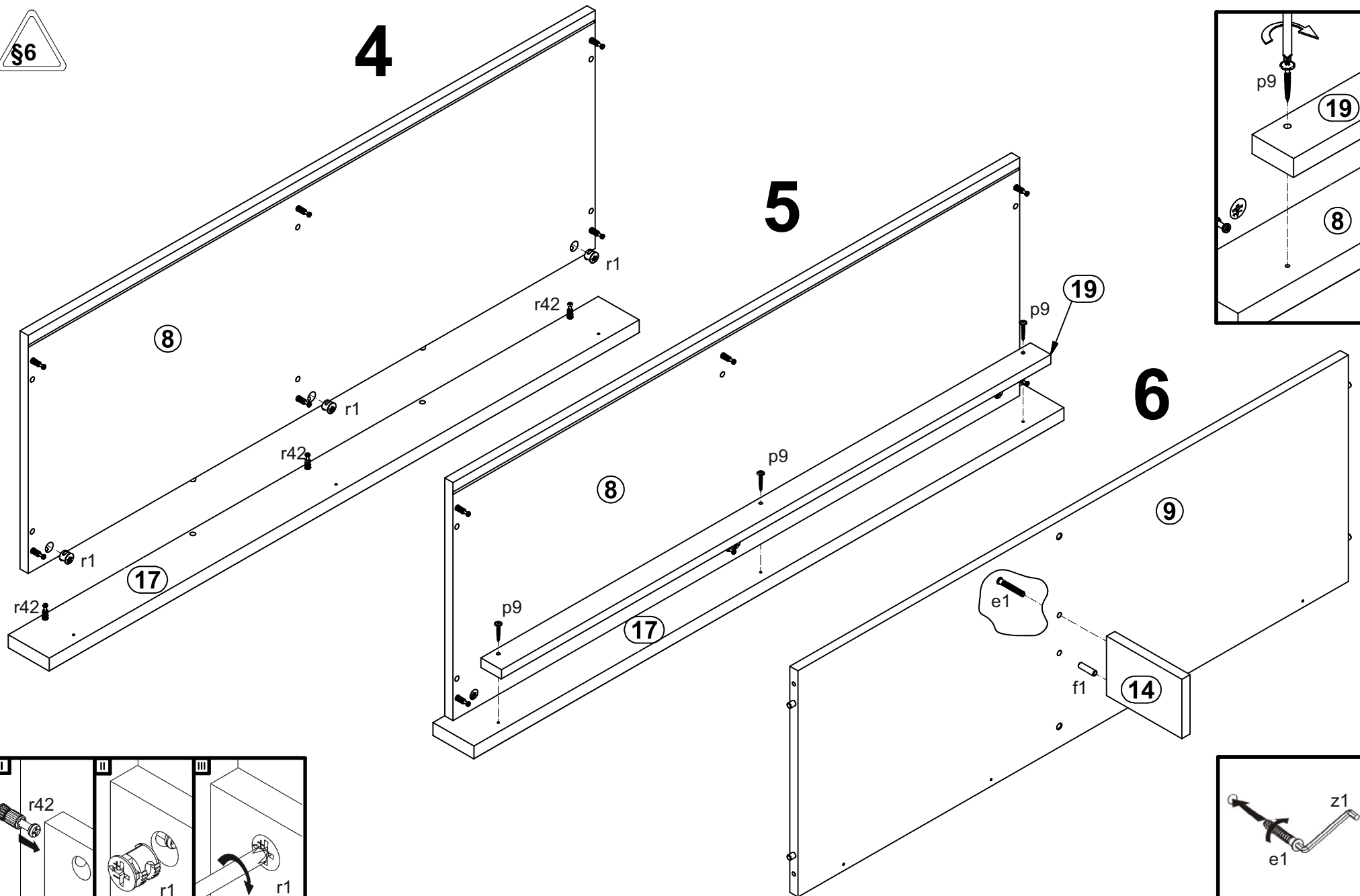


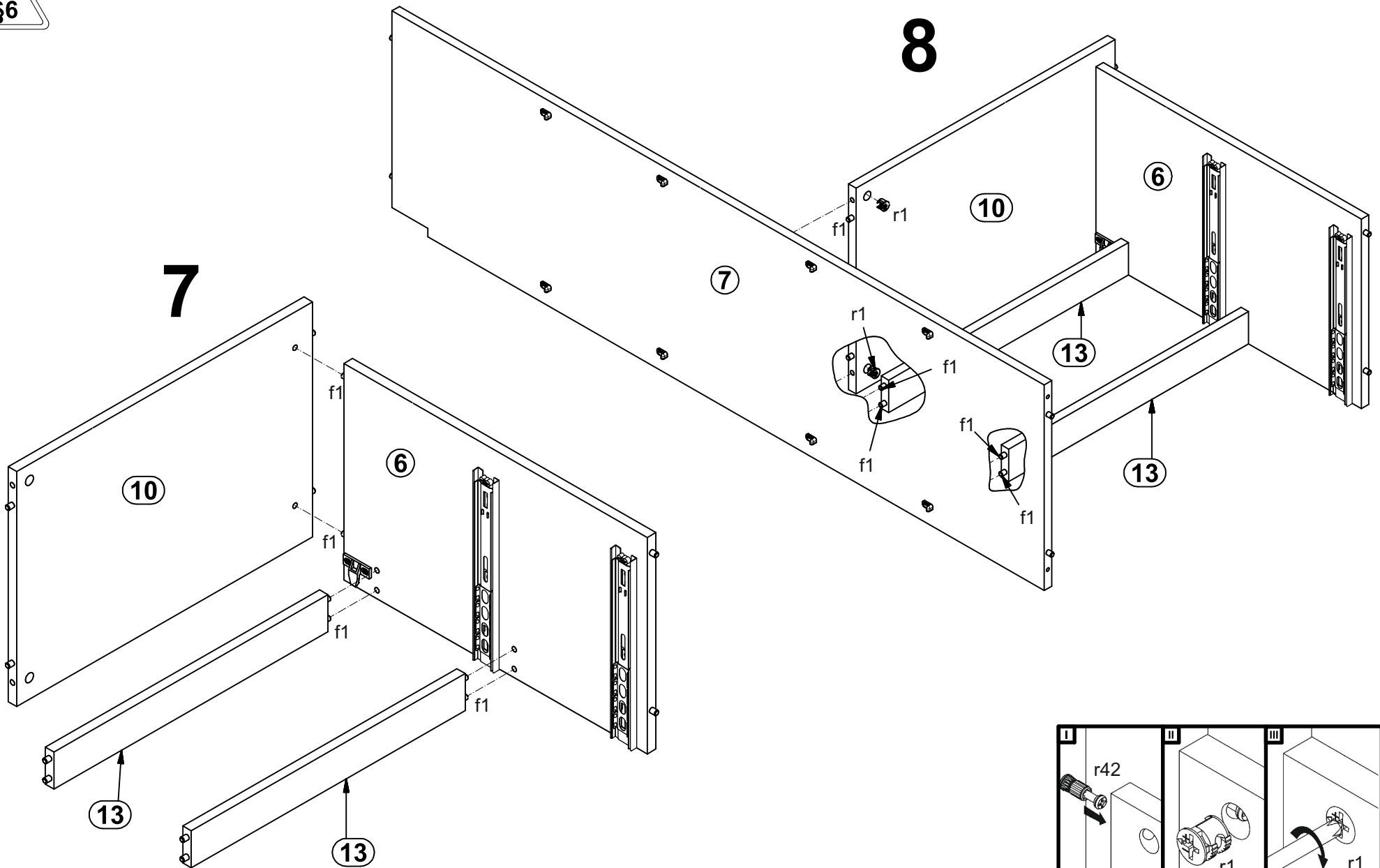


4

5

6



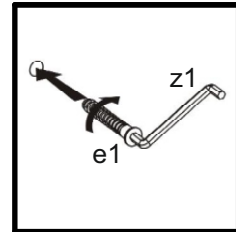
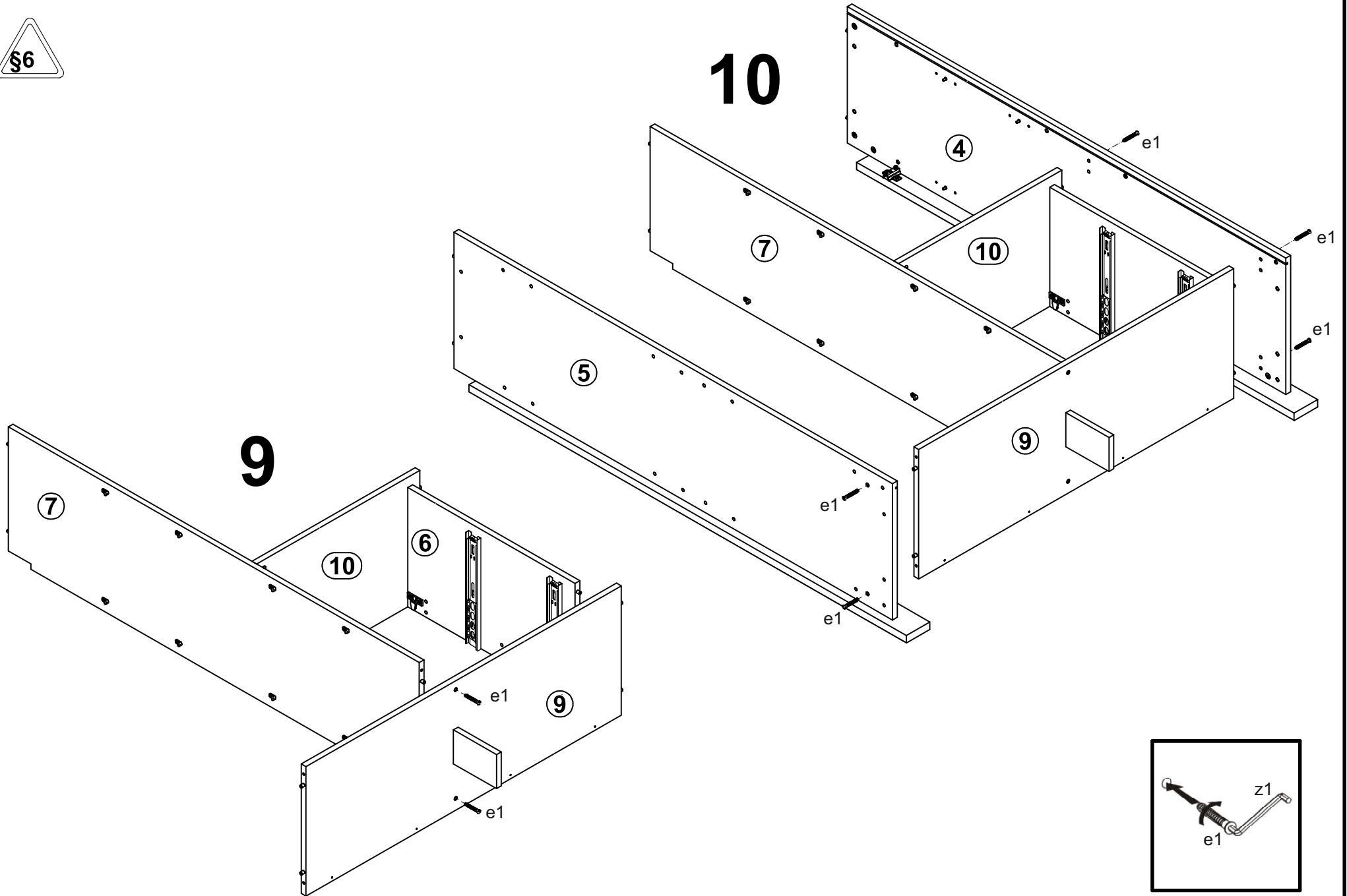


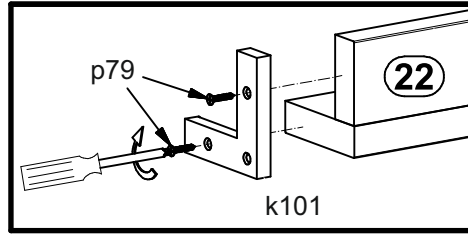




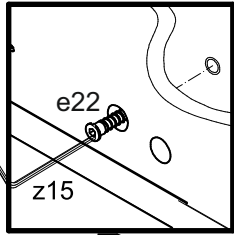
10

9



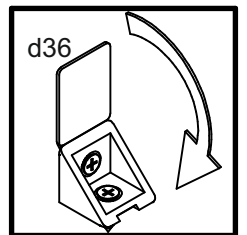
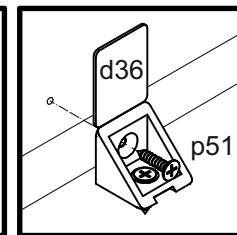
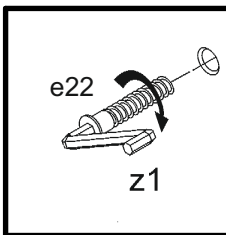
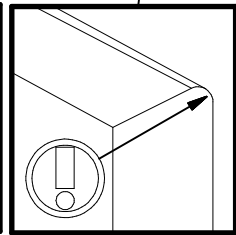
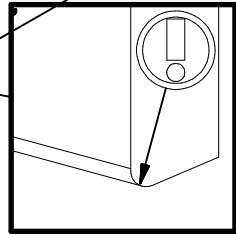
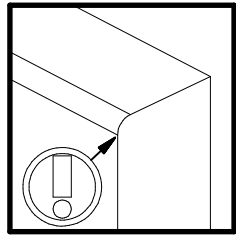
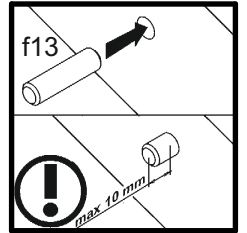
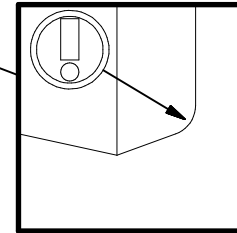
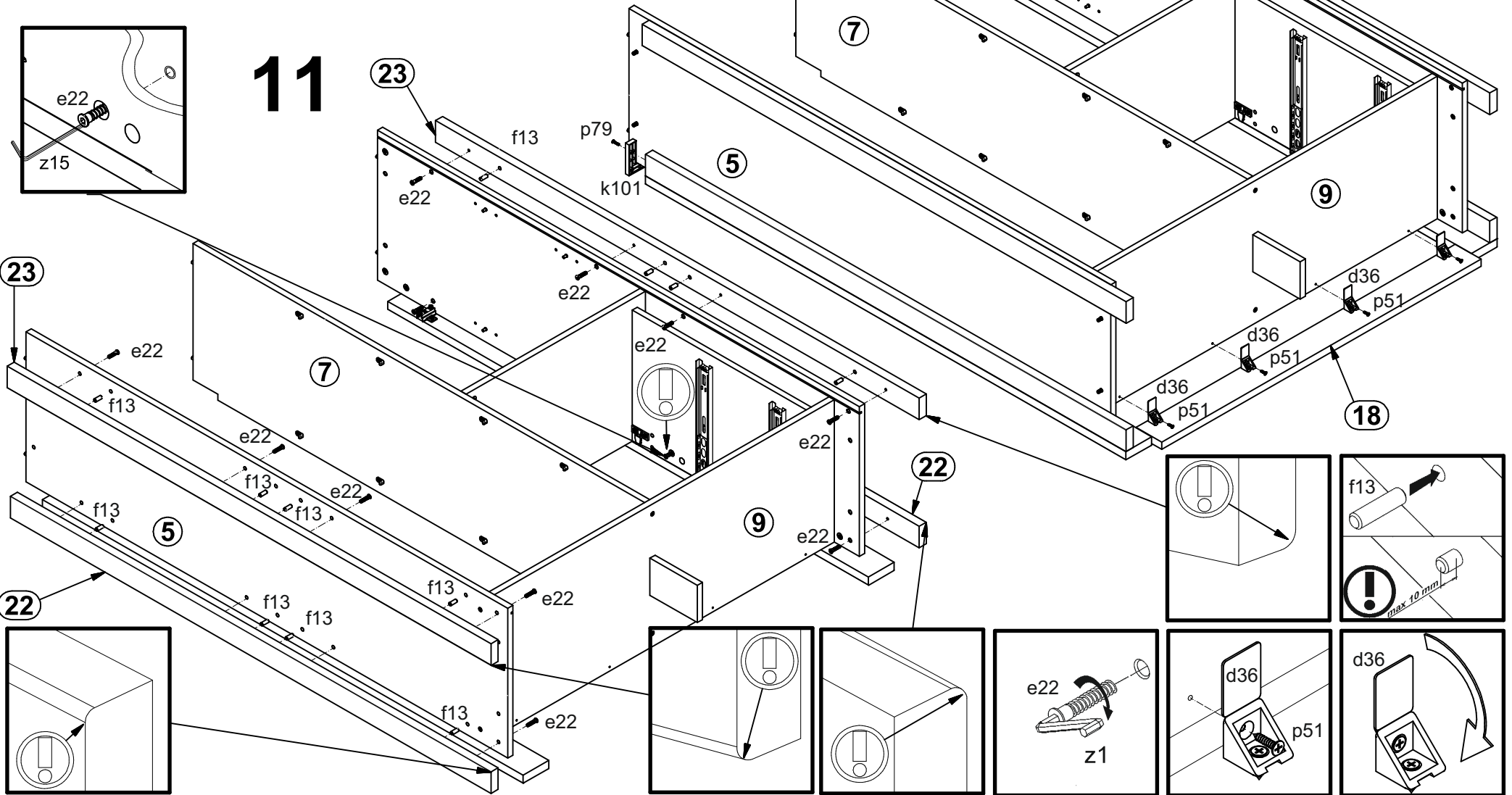


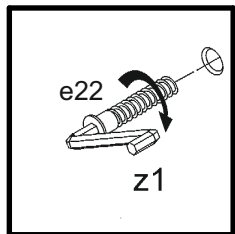
# 12



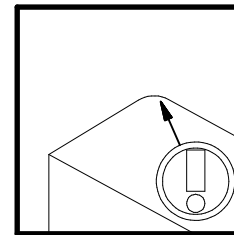
# 11

23

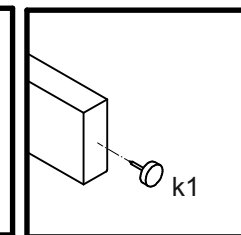
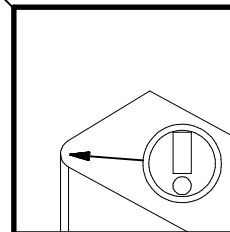
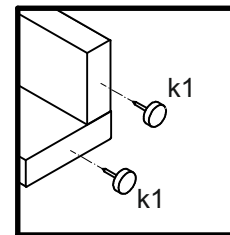
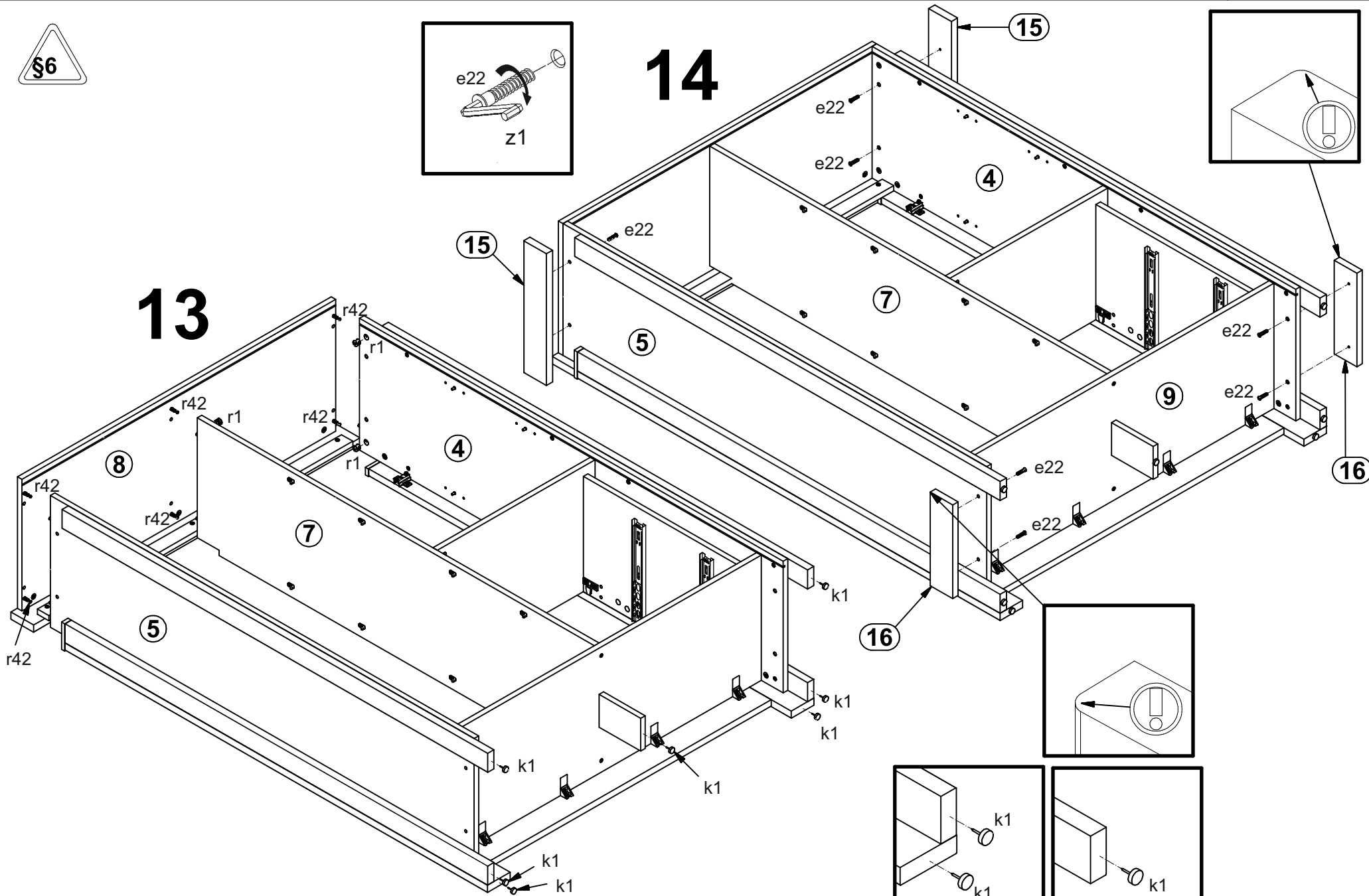


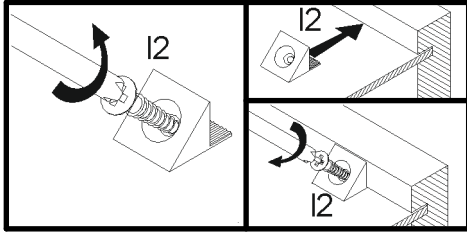


14

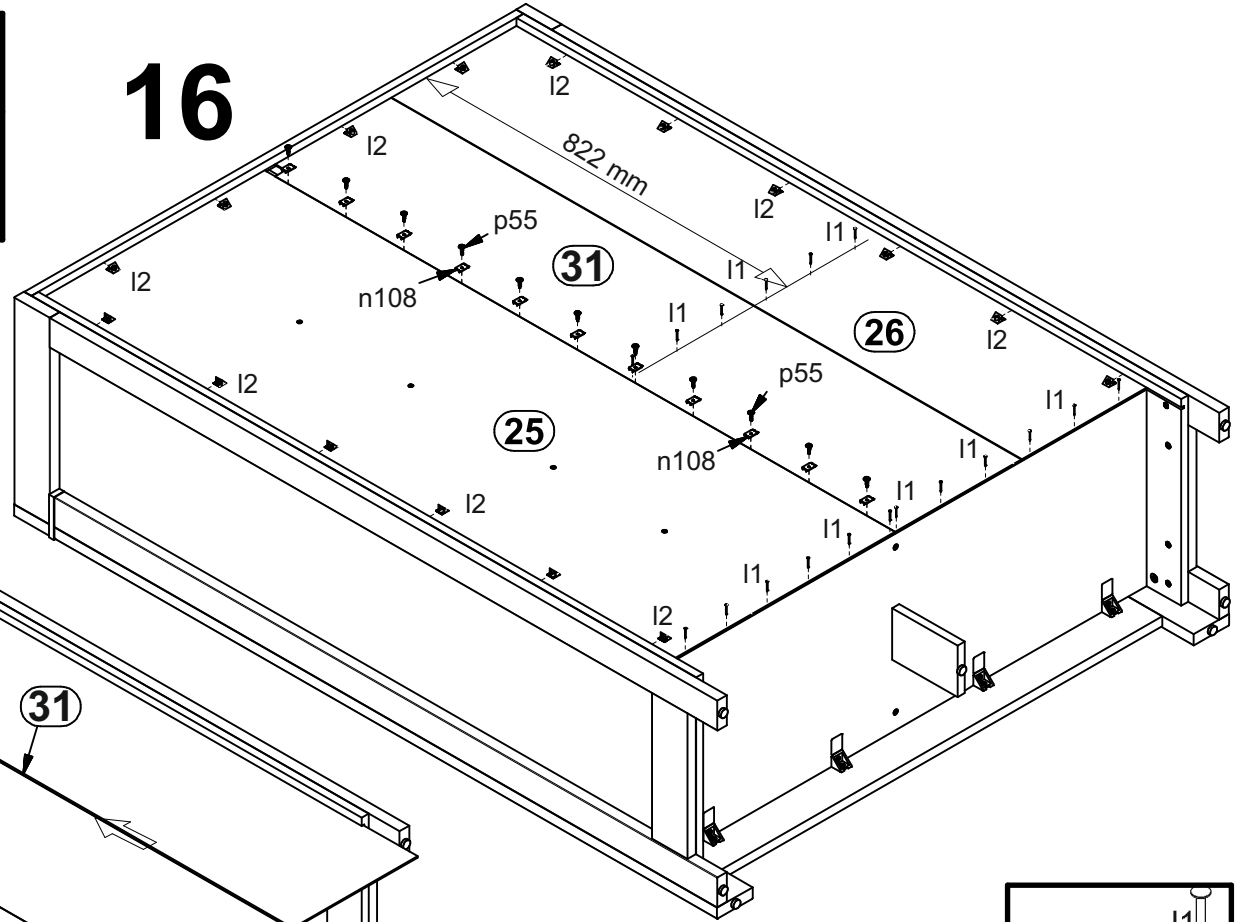


13

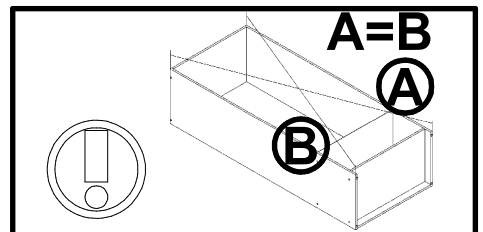
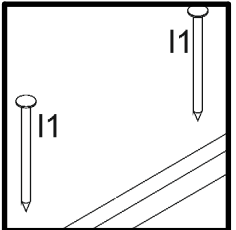
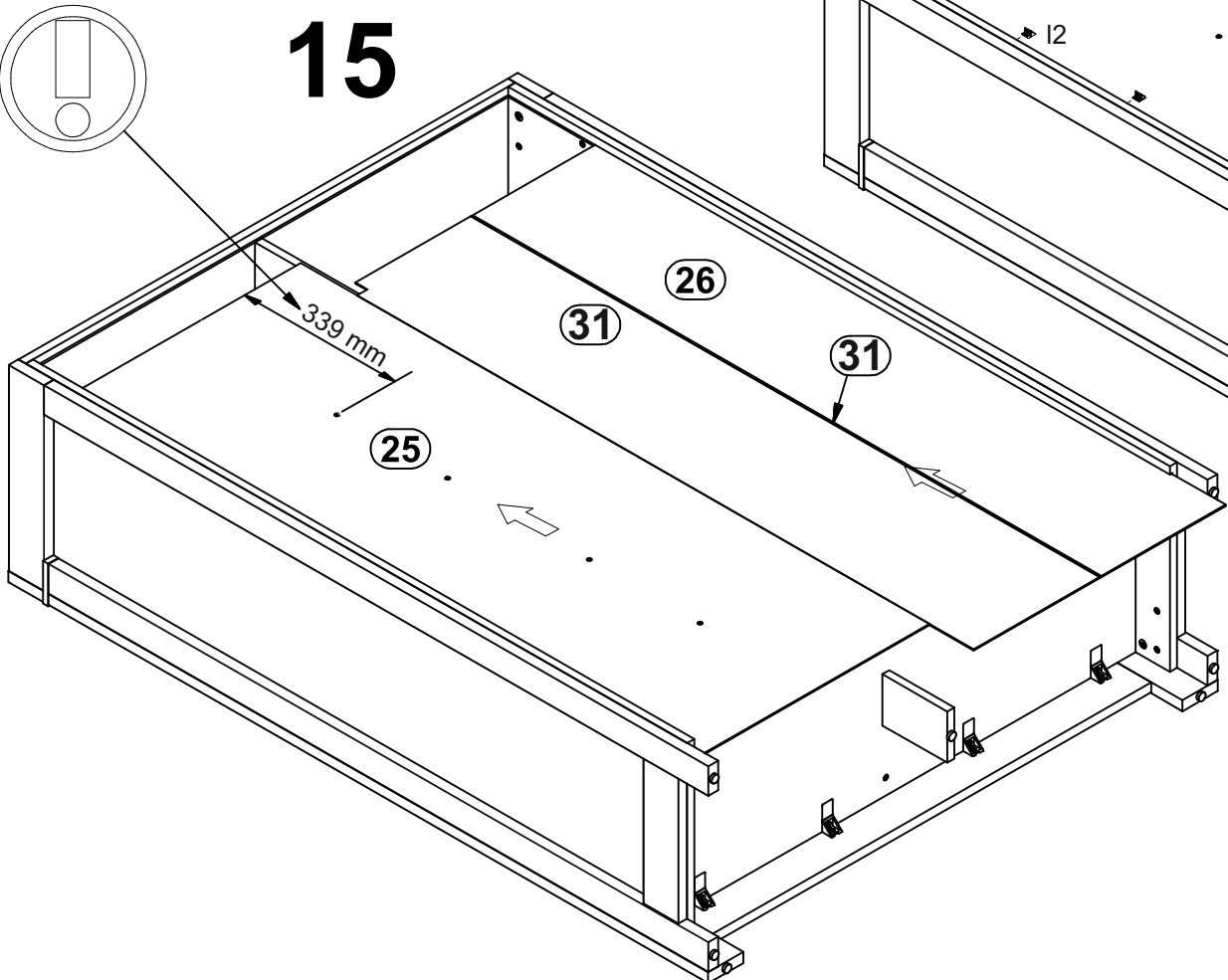




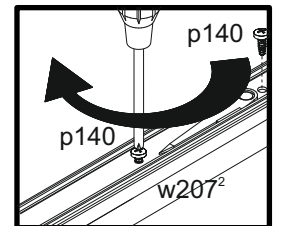
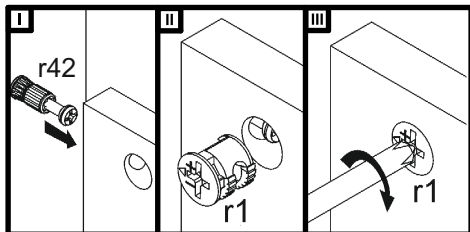
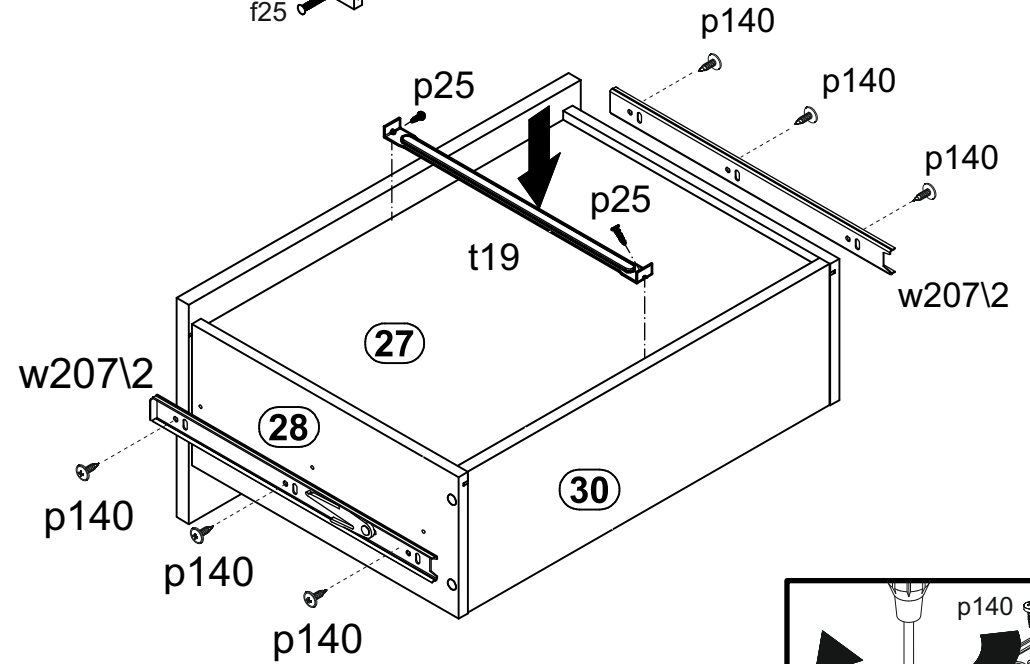
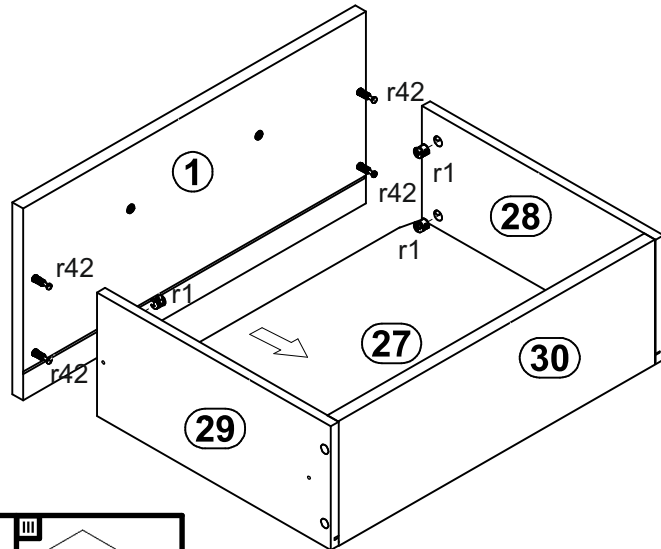
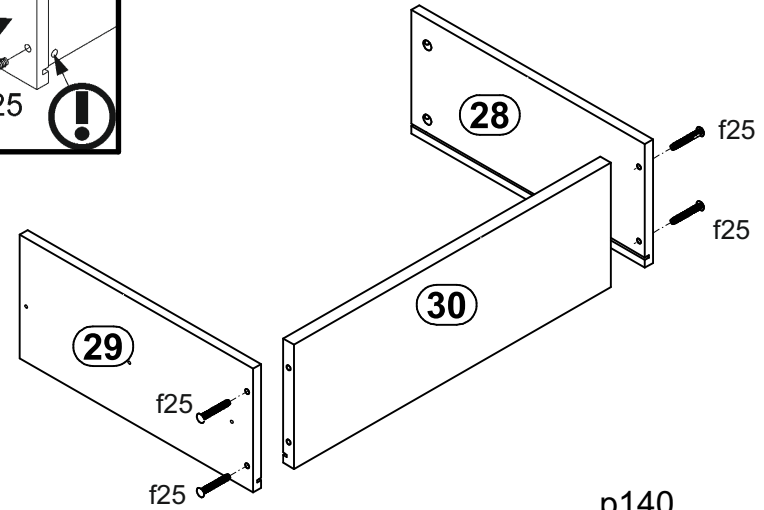
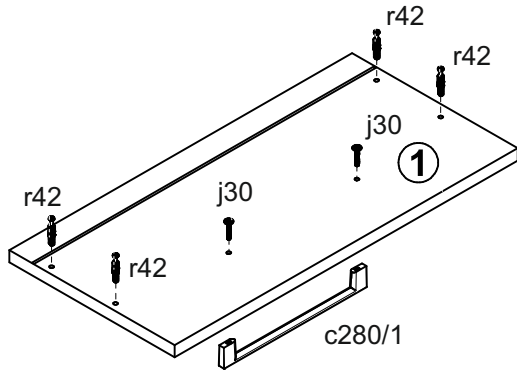
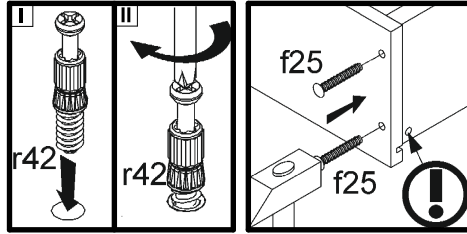
16



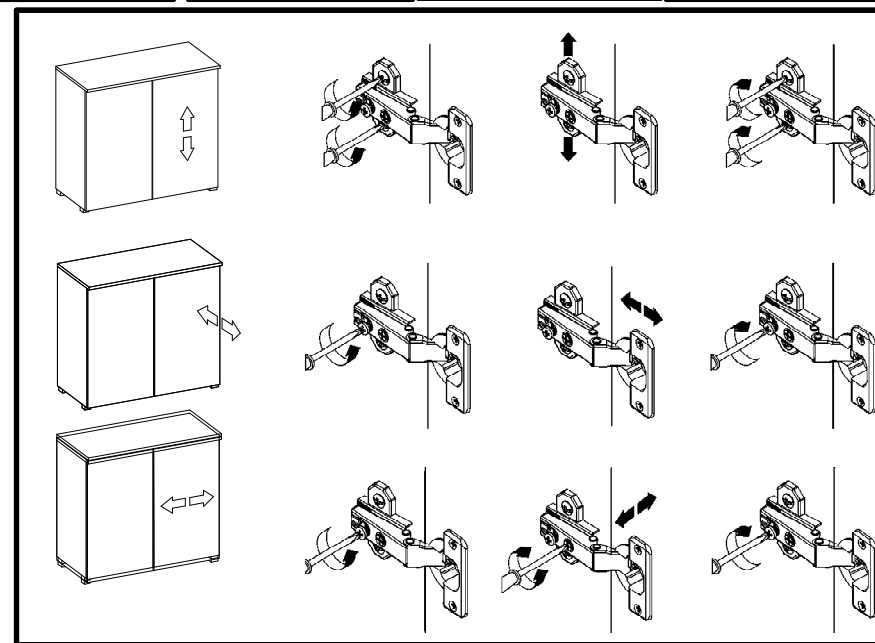
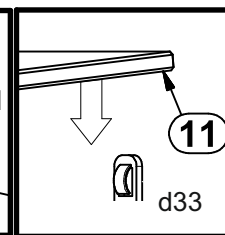
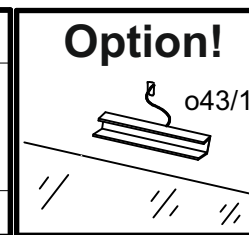
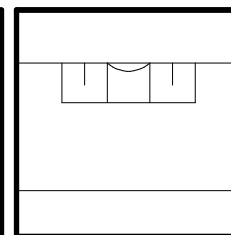
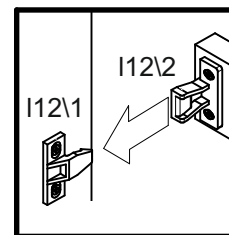
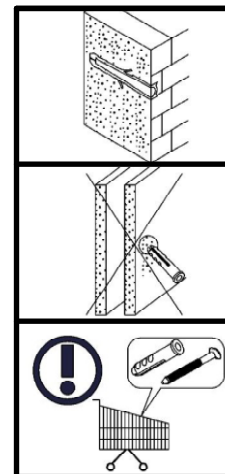
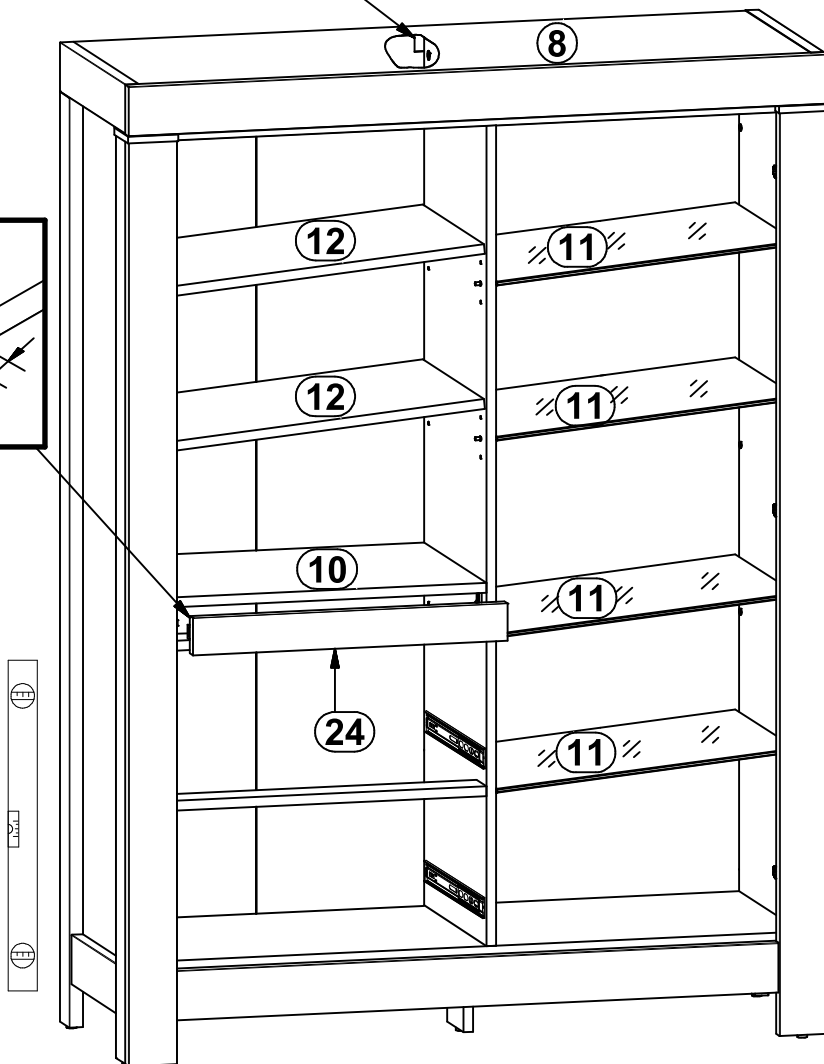
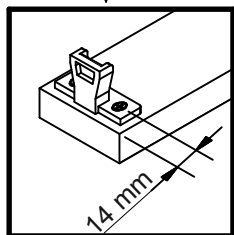
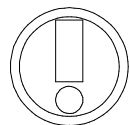
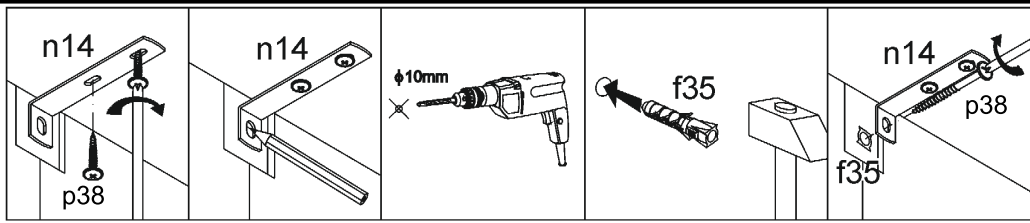
15



17



18



# 19

