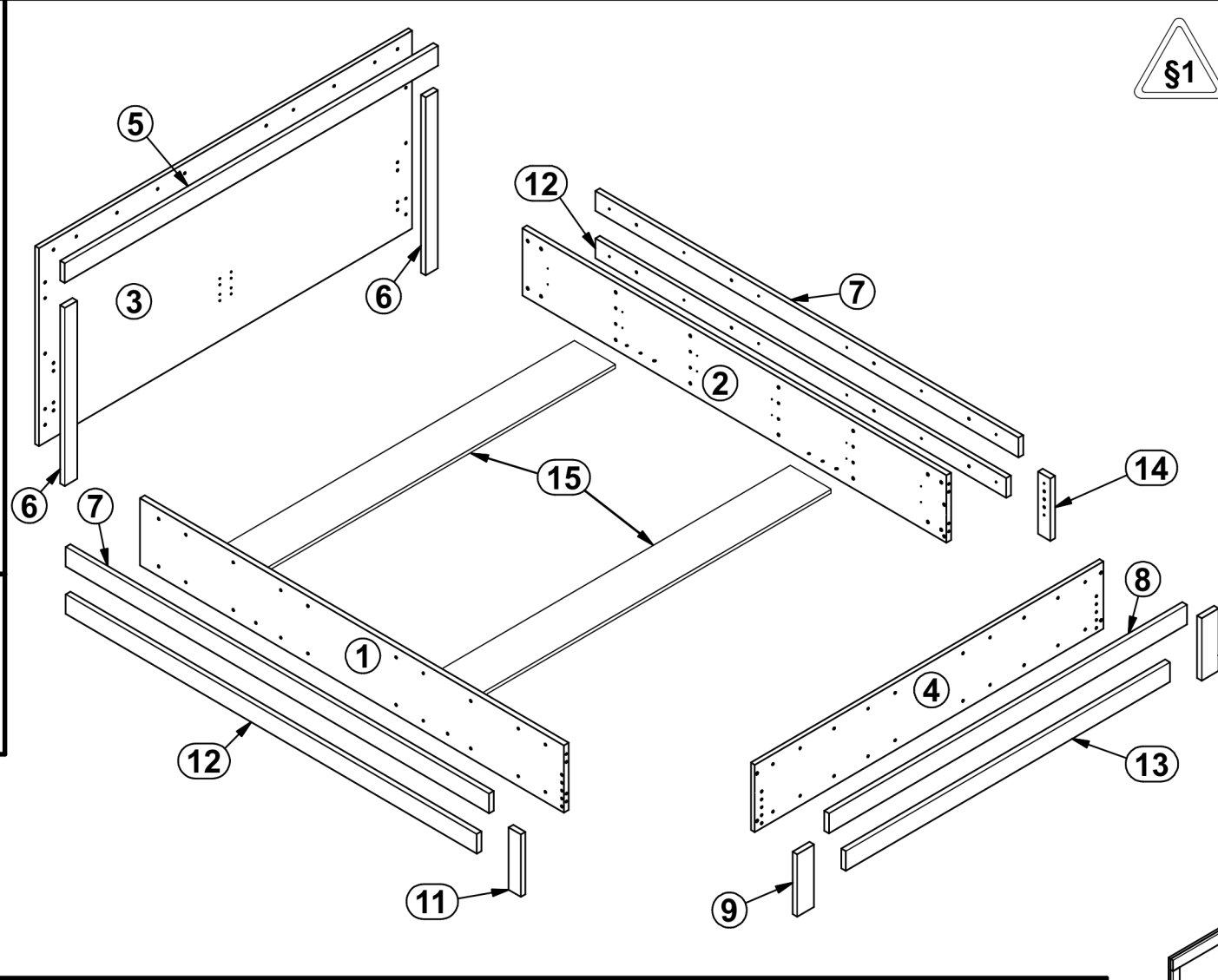
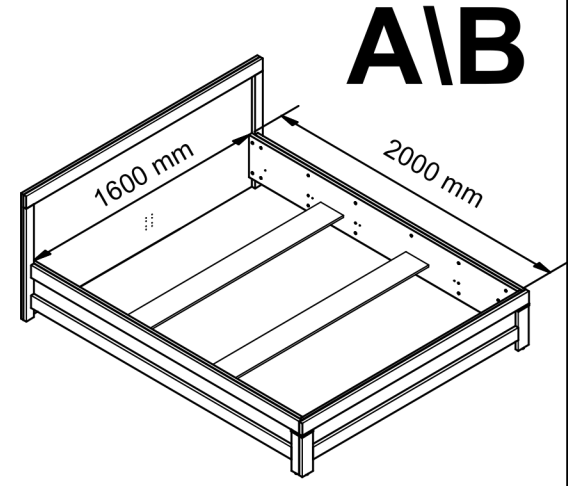


90 min

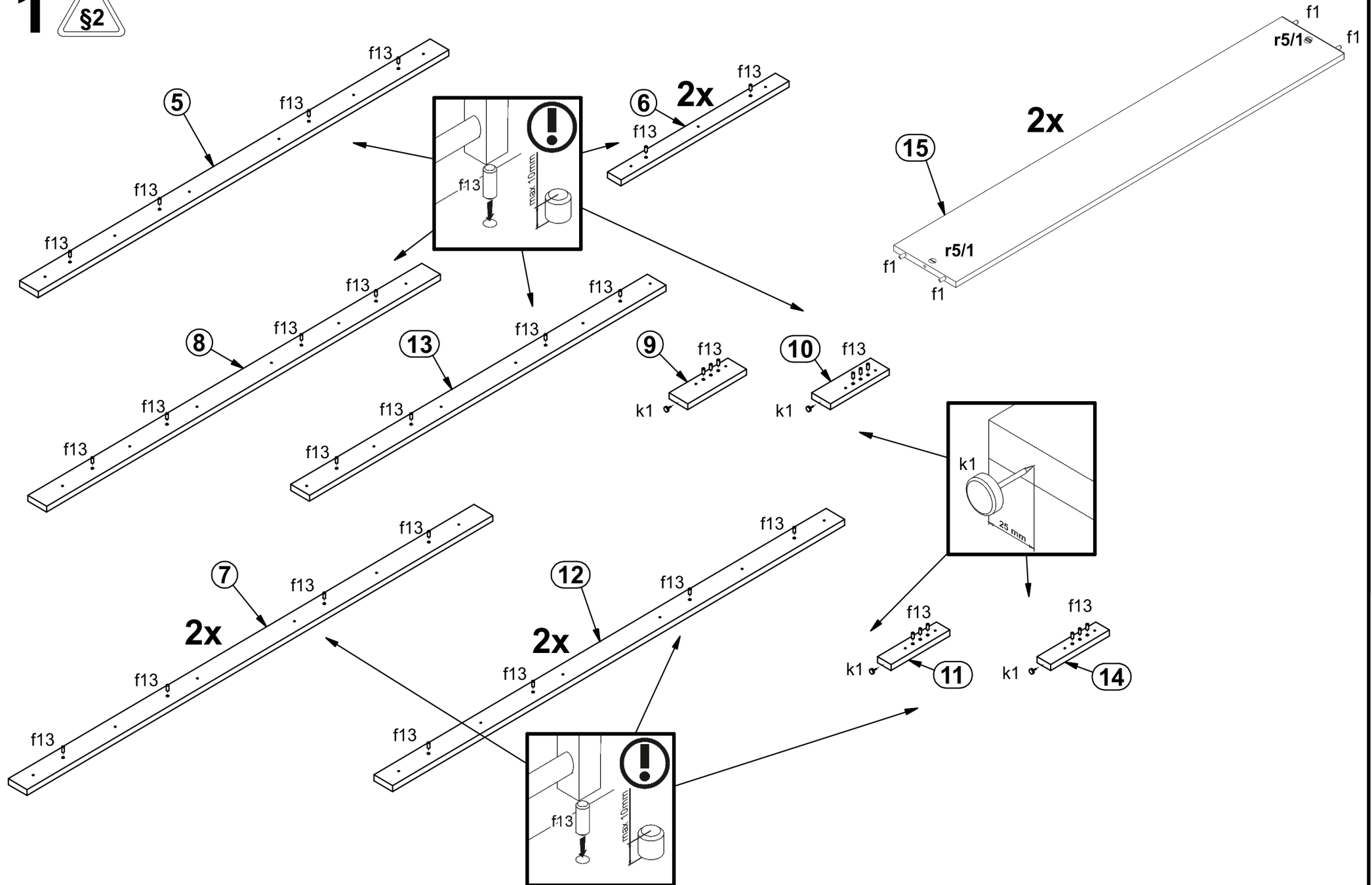


A	B	C (mm)	D	
1	S228-1136	2000	272	1/2
2	S228-1141	2000	272	1/2
3	S228-4415	928	1760	2/2
4	S228-4416	1644	272	2/2
5	S228N-5562	1760	80	2/2
6	S228N-5563	848	58	2/2
7	S228N-5564	1994	80	1/2
8	S228N-5565	1688	80	1/2
9	S228N-5566	252	80	2/2
10	S228N-5567	252	80	2/2
11	S228N-5568	252	58	2/2
12	S228N-5569	1936	80	1/2
13	S228N-5570	1528	80	1/2
14	S228N-5578	252	58	2/2
15	S228-4430	1600	170	2/2

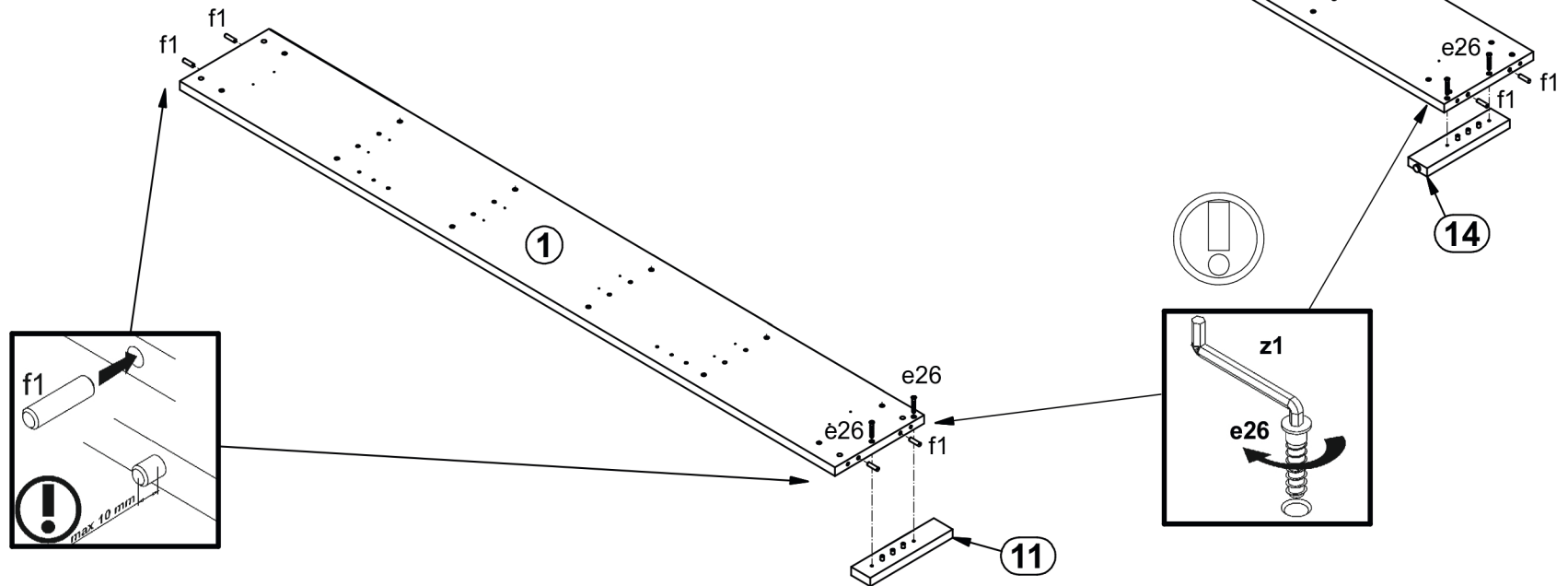
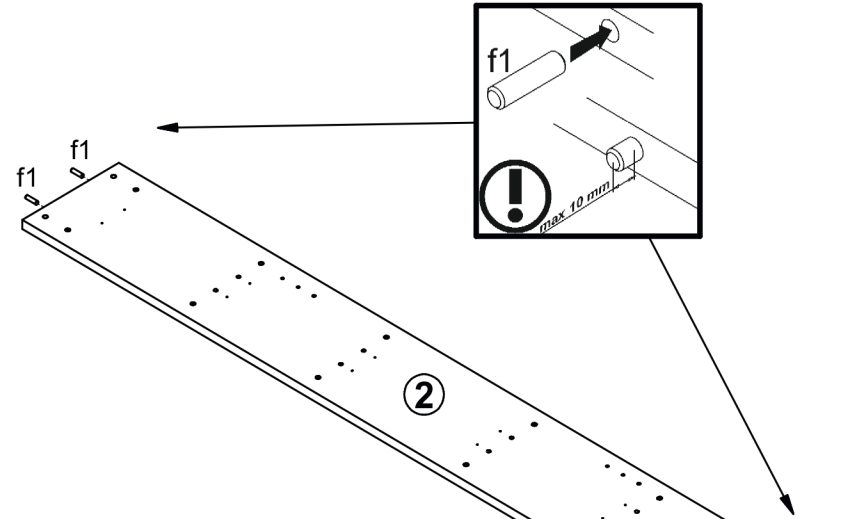
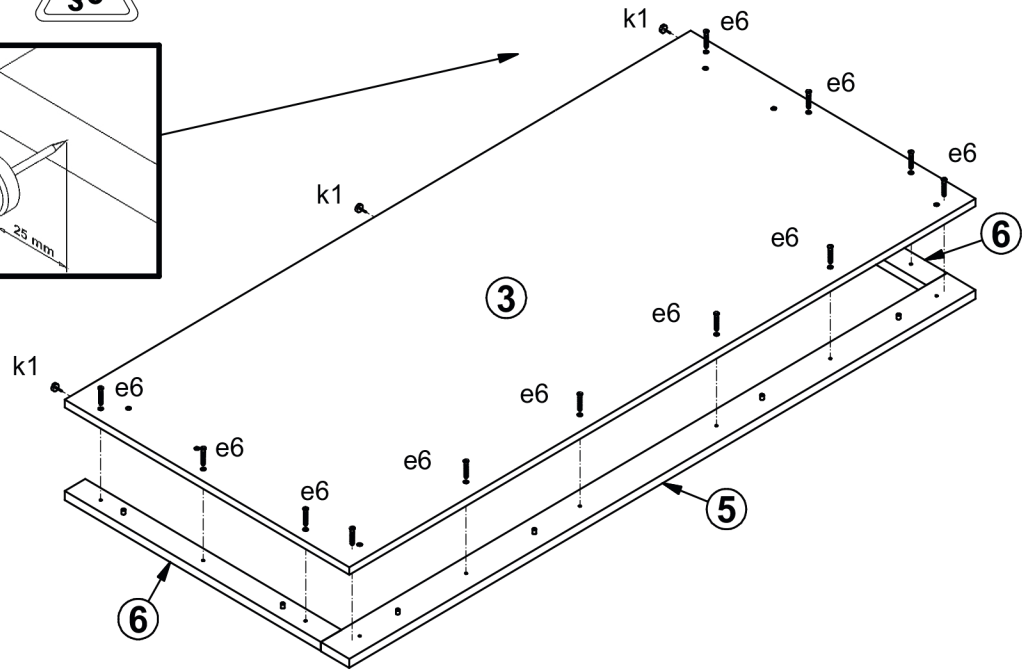
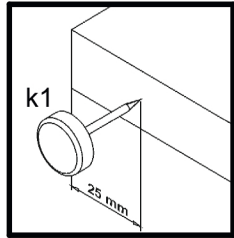


4x Ш3,5x20 mm <b>p79</b>	28x Ш7x35 mm <b>e26</b>	16x Ш8x30 mm <b>f1</b>	44x Ш8x20 mm <b>f13</b>
7x <b>k1</b>	8x M6x50 mm <b>r5\2</b>	12x Ш10x16 mm <b>r43</b>	2x <b>k101</b>
1x <b>z1</b>	4x ∅10x13 mm <b>r5\1</b>	28x ∅7x30 mm <b>e6</b>	

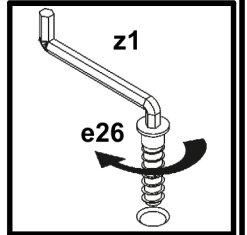
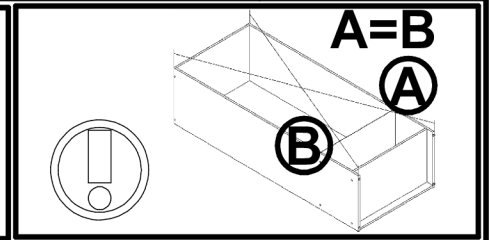
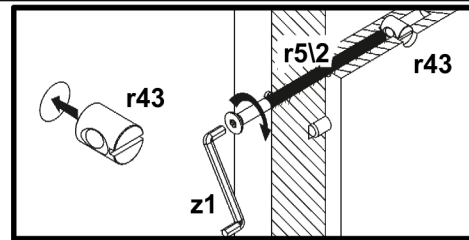
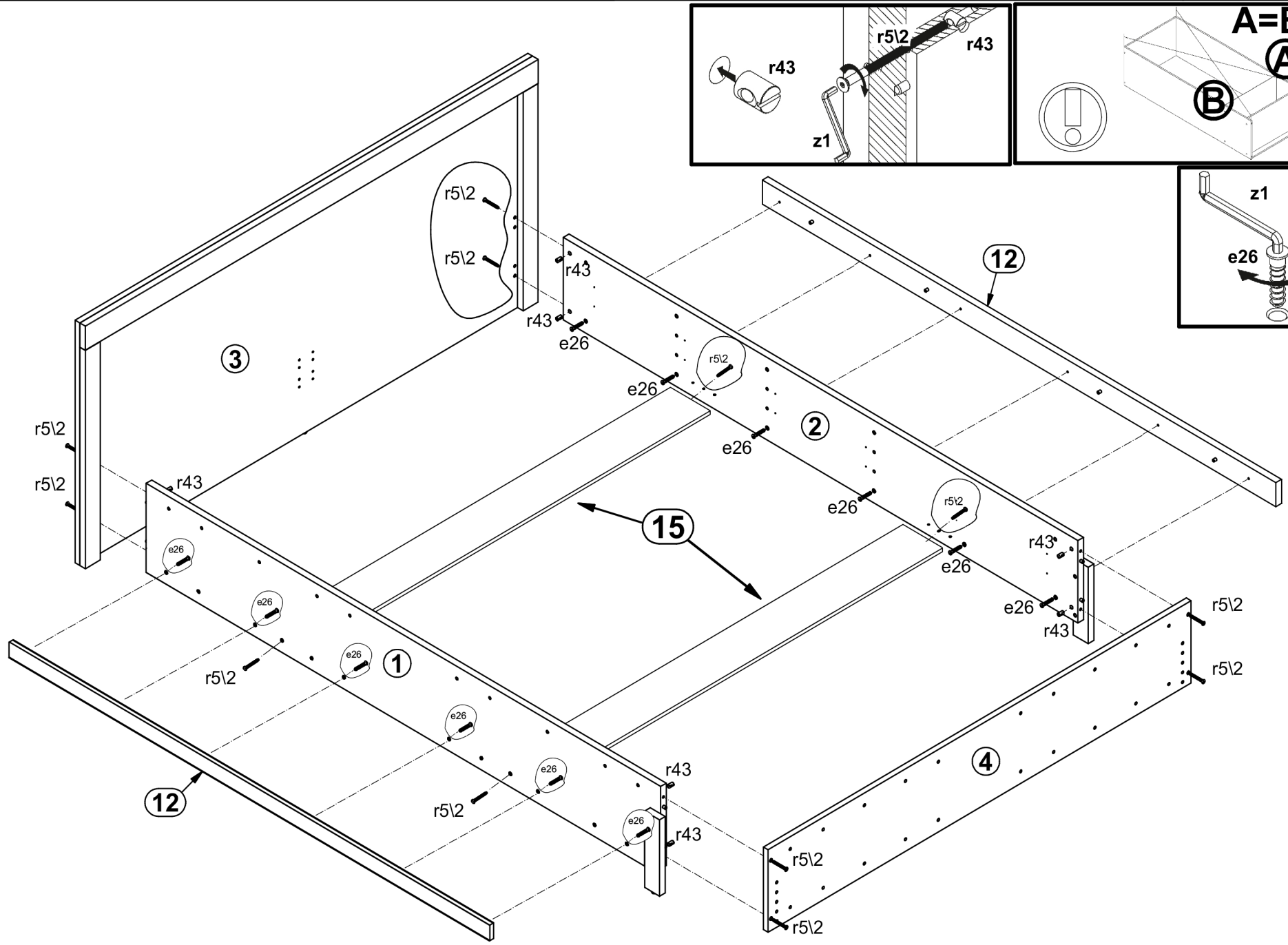
**1** §2



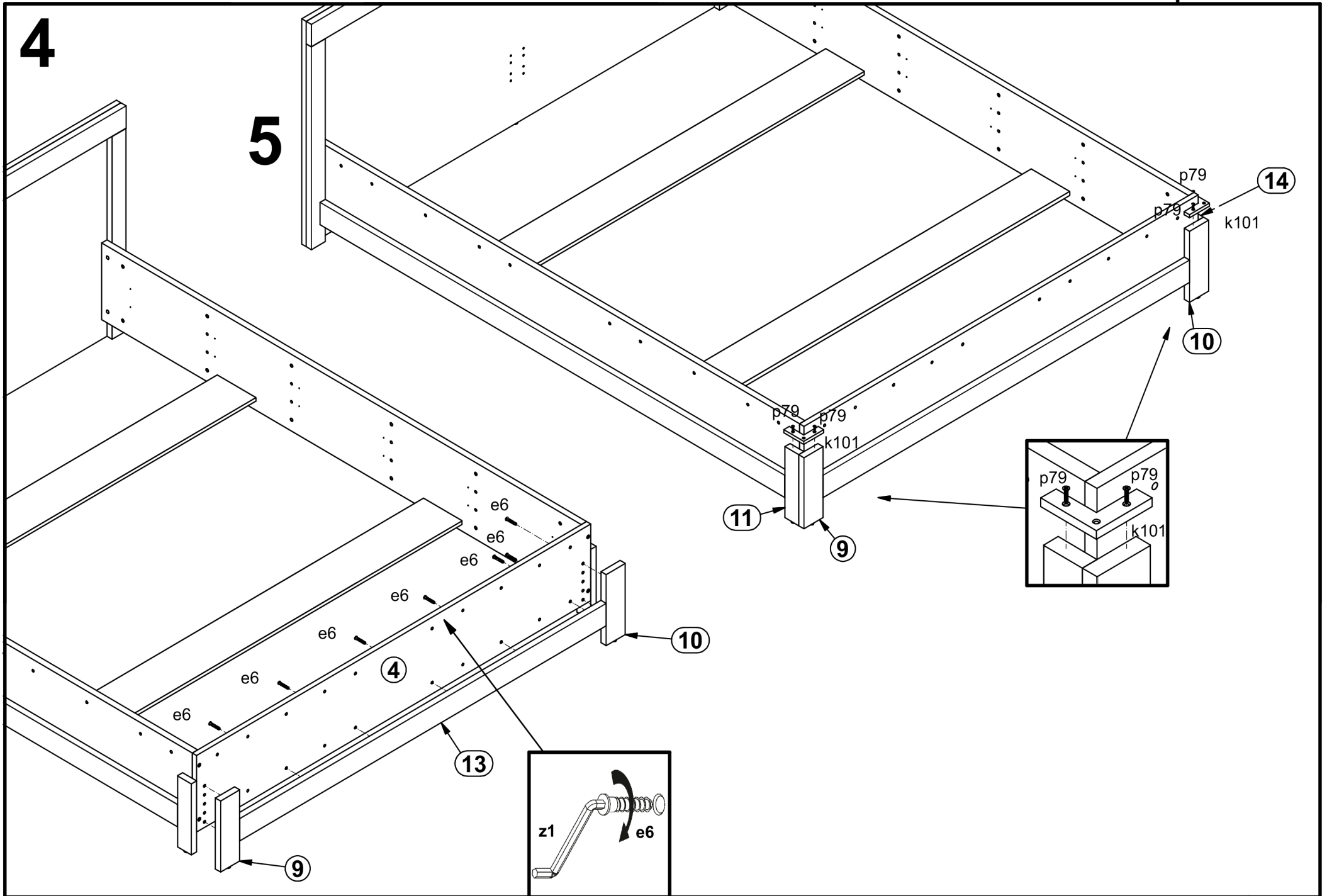
2



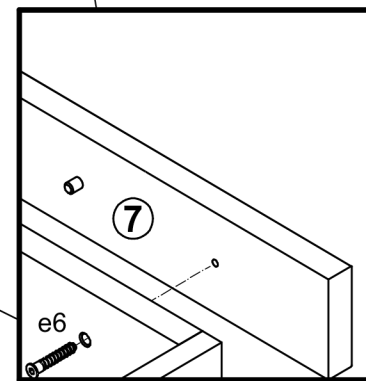
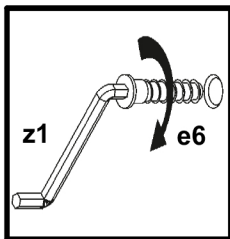
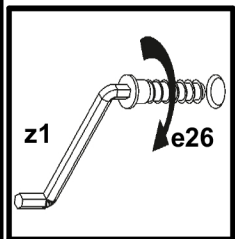
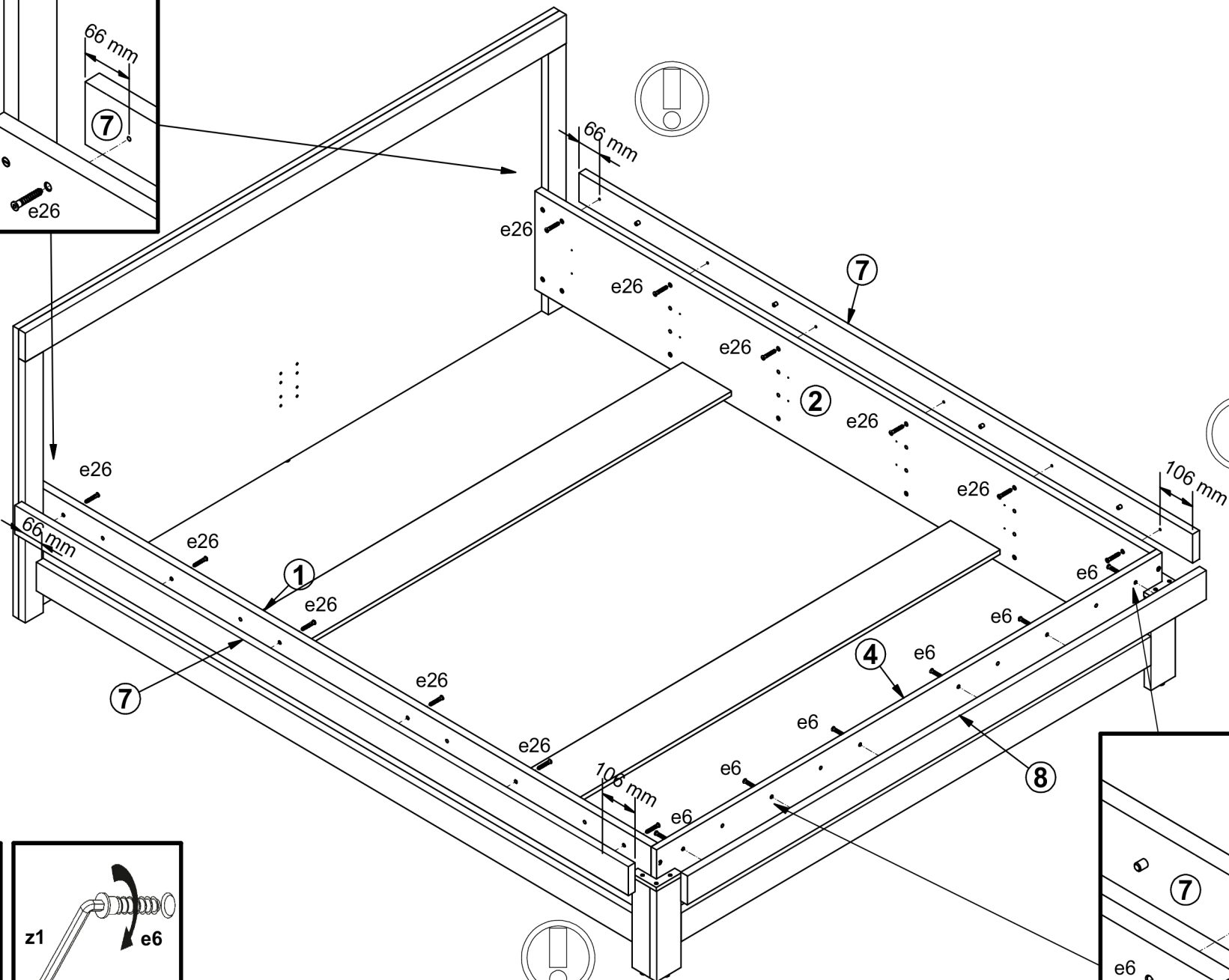
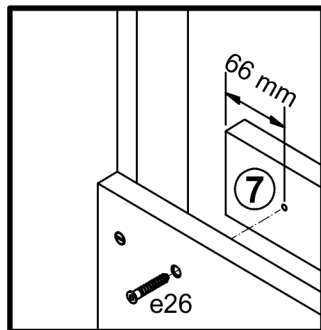
3



A=B



**6**



8

