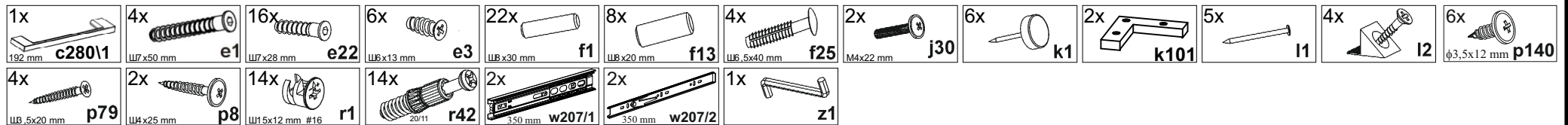
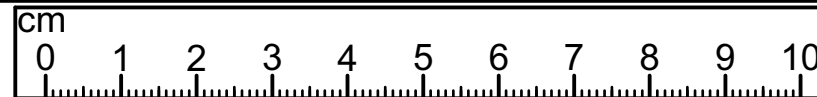
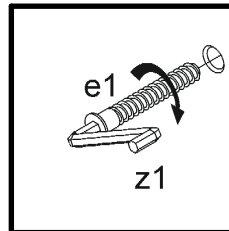
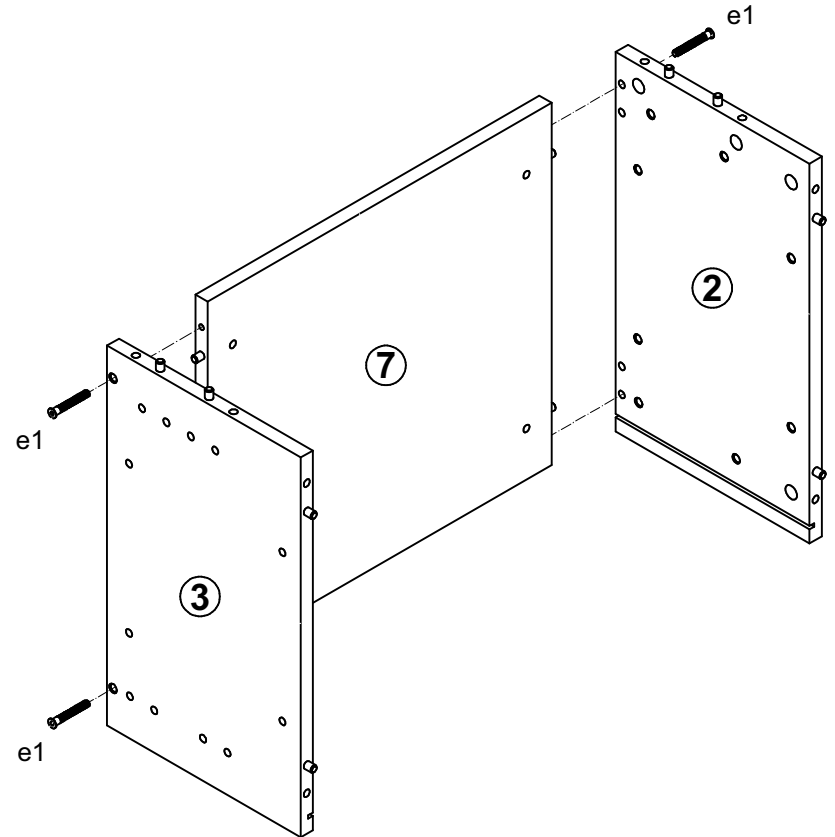
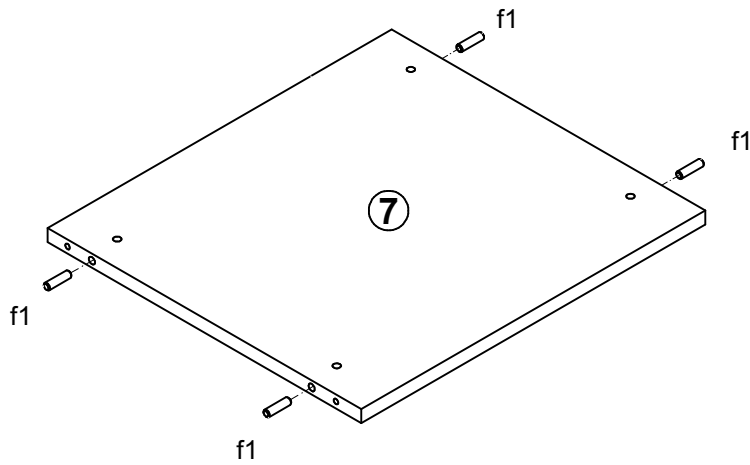
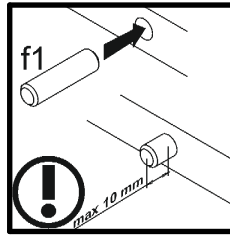
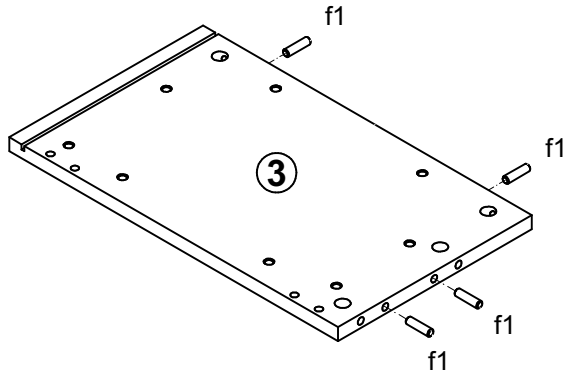
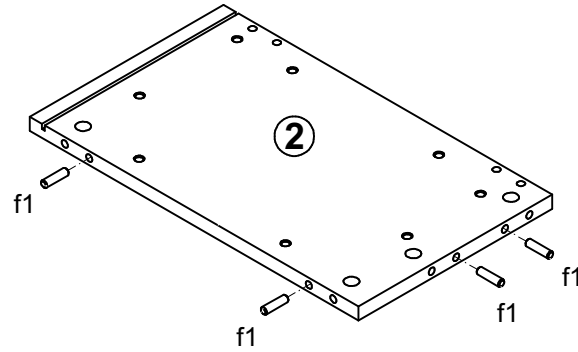


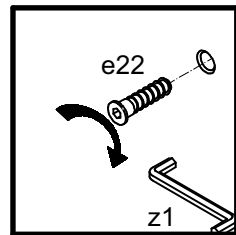
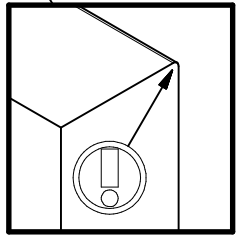
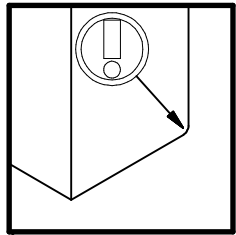
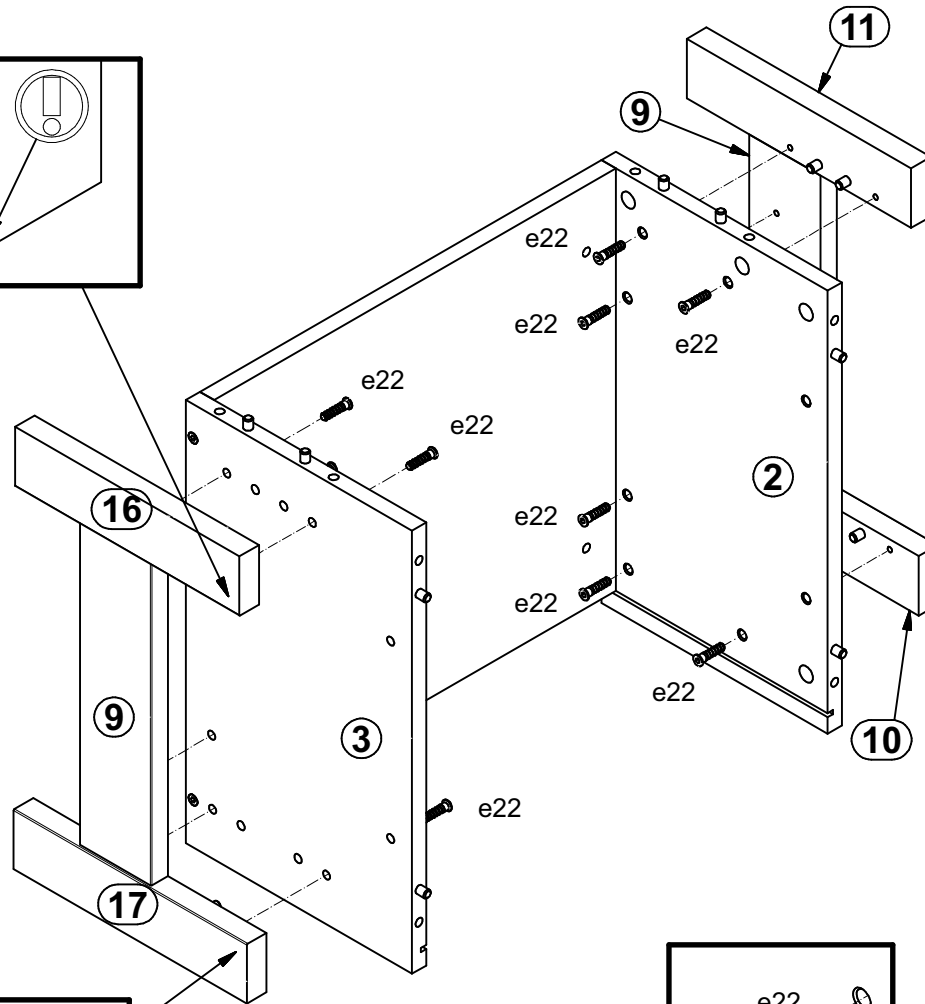
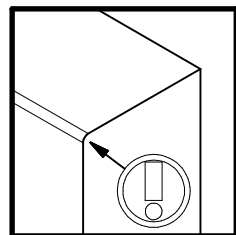
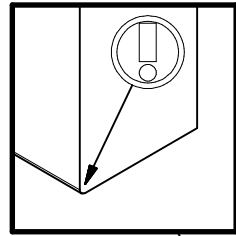
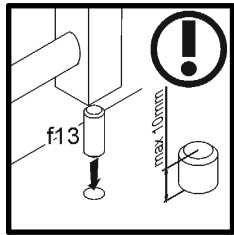
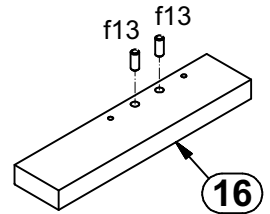
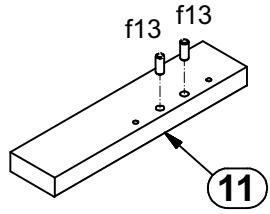
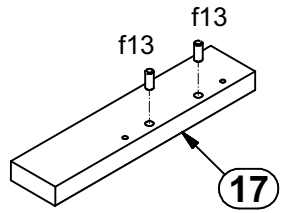
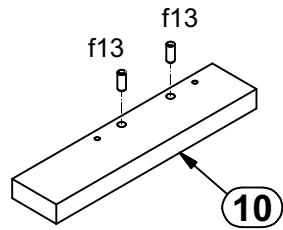
A	B	C (mm)		D
1	S228-0019A	361	180	1/2
2	S228-137	254	431	1/2
3	S228-138	254	431	1/2
4	S228-139A	238	376	1/2
5	S228-140A	238	376	1/2
6	S228-2216	483	431	1/2
7	S228-3333	451	411	1/2
8	S228N-5539	431	80	2/2
9	S228N-5542	315	80	2/2
10	S228N-5571	262	58	2/2
11	S228N-5572	252	58	2/2
12	S228N-5573	252	80	2/2
13	S228N-5574	252	80	2/2
14	S228N-5576	528	80	2/2
15	S228N-5577	449	60	2/2
16	S228N-5579	252	58	2/2
17	S228N-5580	262	58	2/2
18	S228-909	257	461	1/2
19	S228-9935A	307	350	1/2
20	S228-501N	350	120	1/2
21	S228-502N	350	120	1/2
22	S228-503N	297	120	1/2



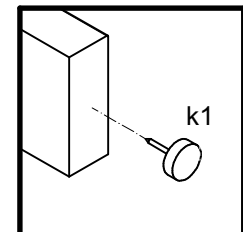
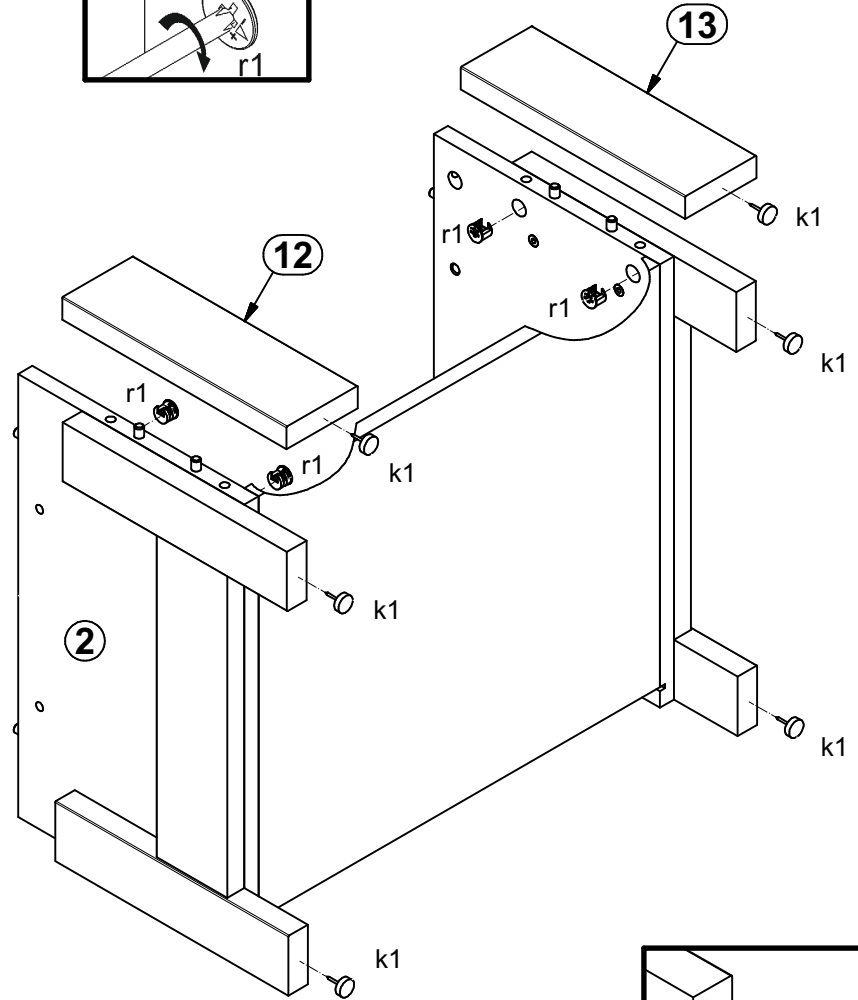
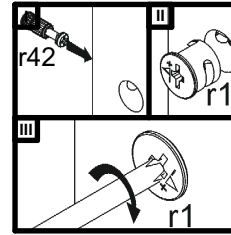
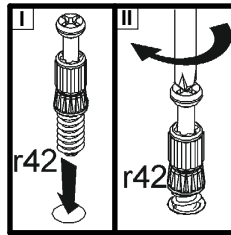
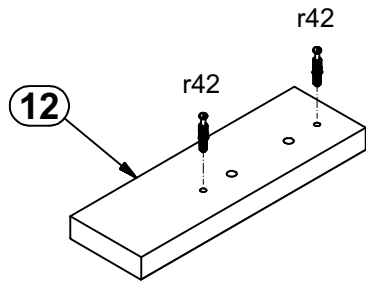
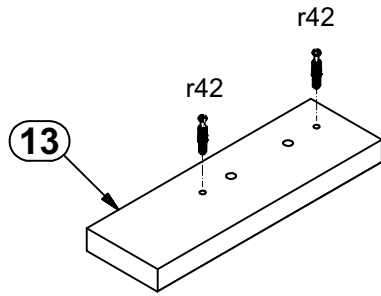
1



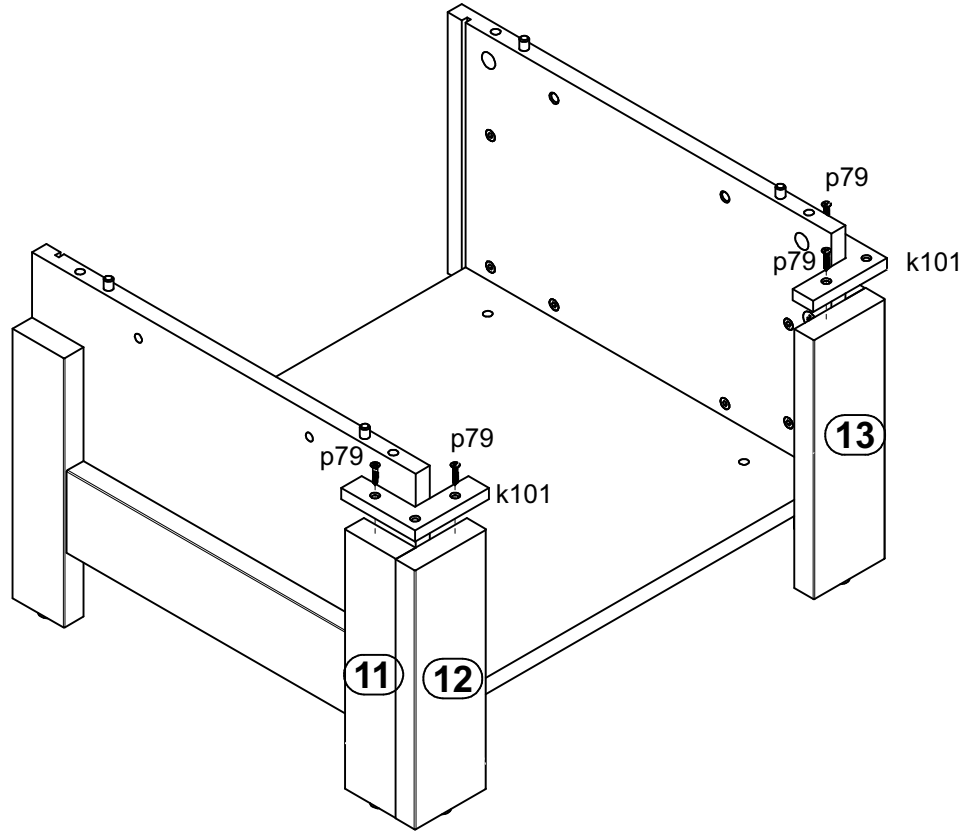
2



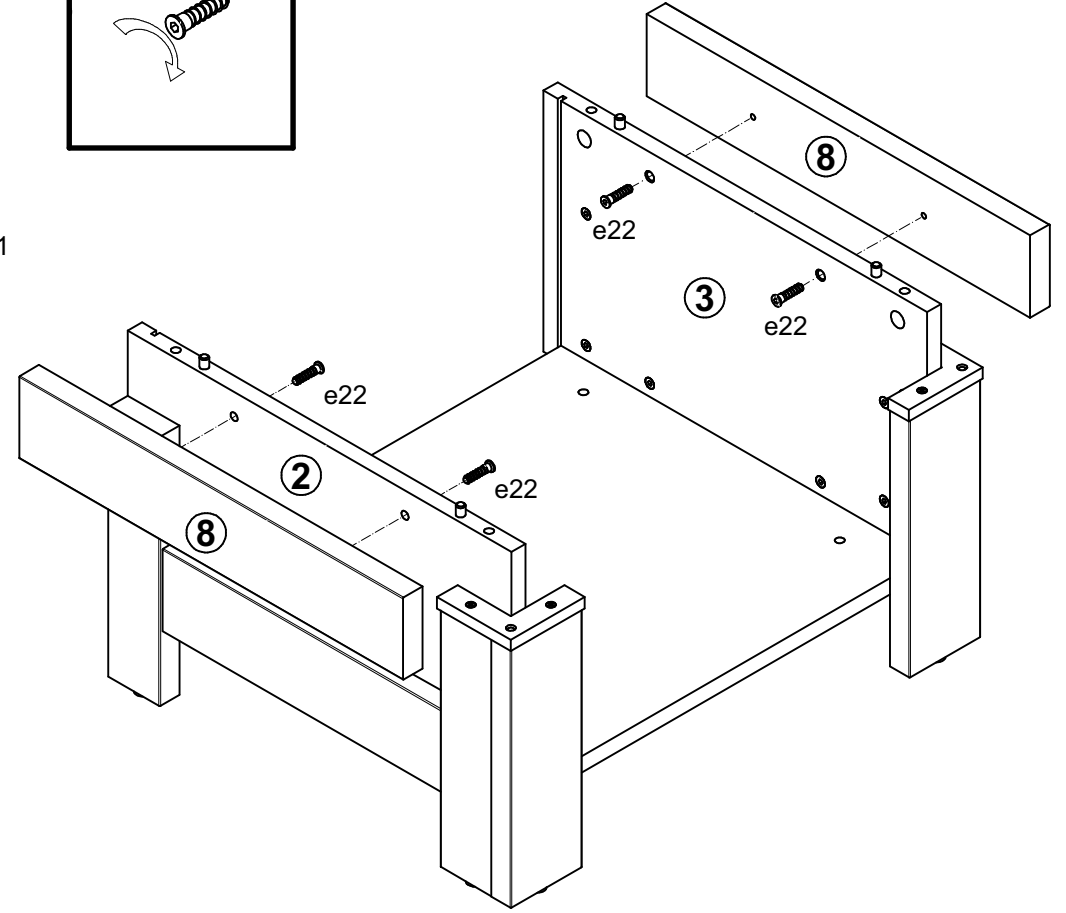
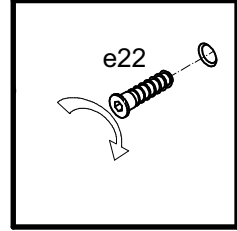
3



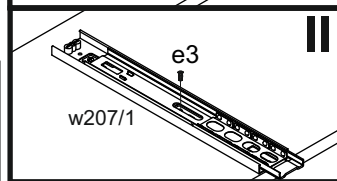
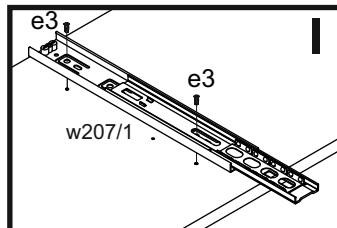
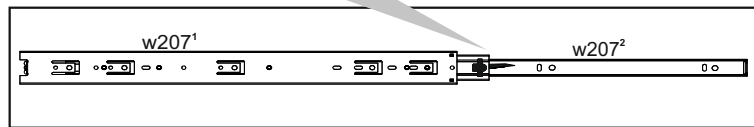
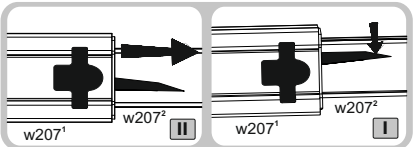
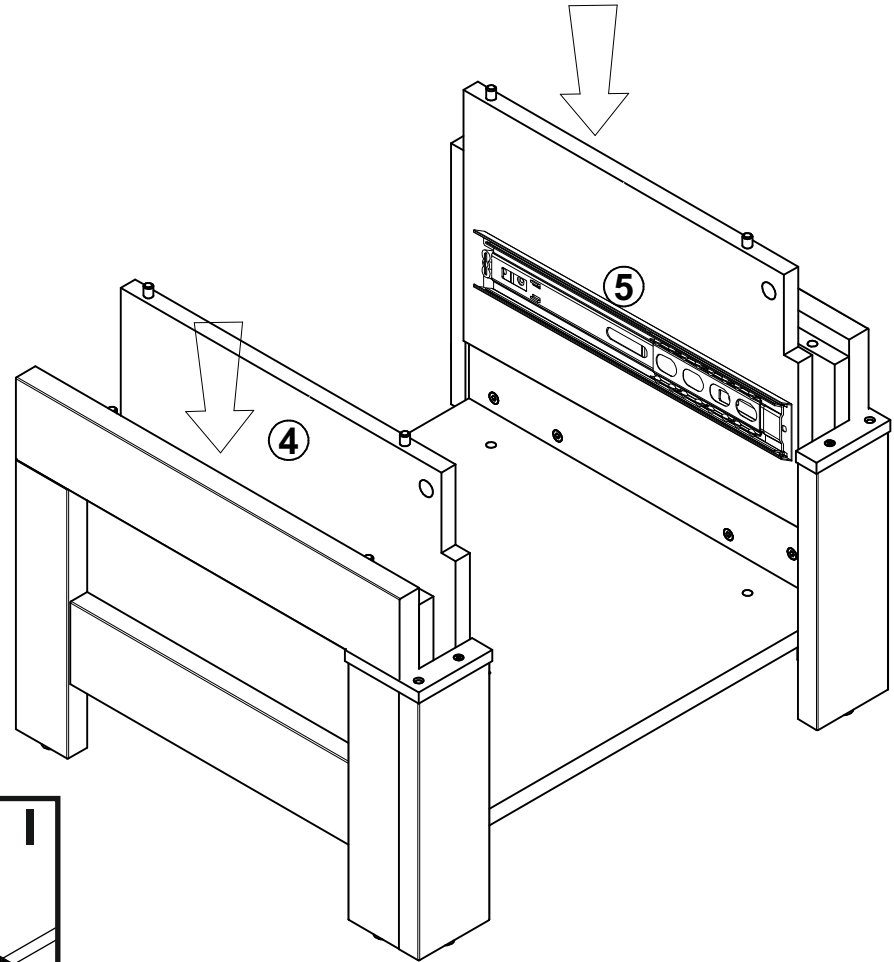
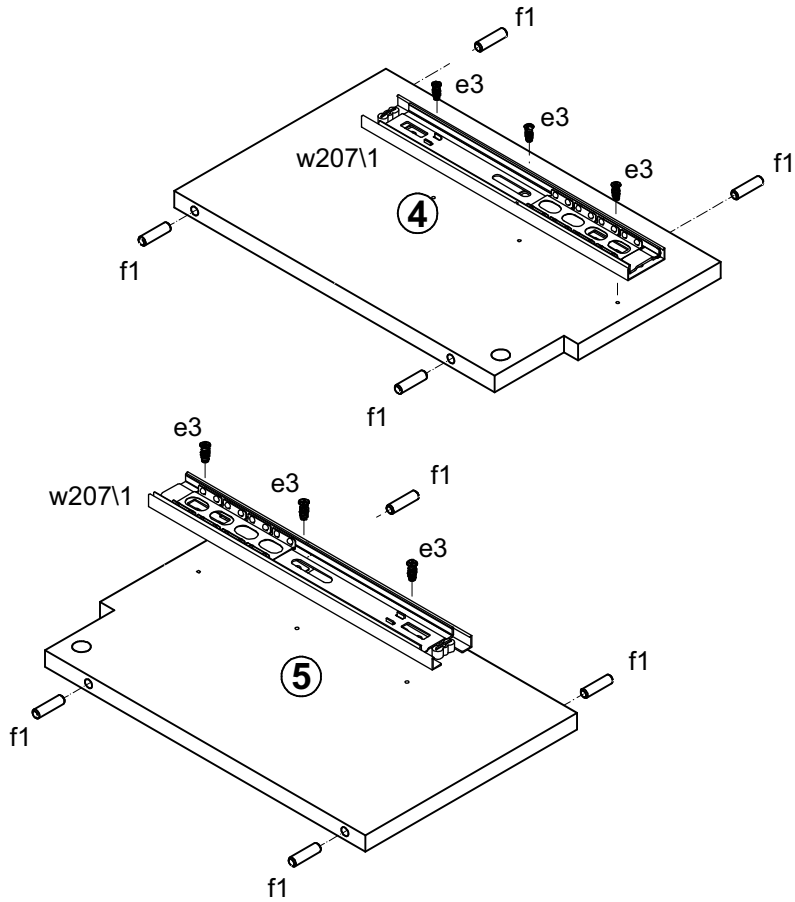
4



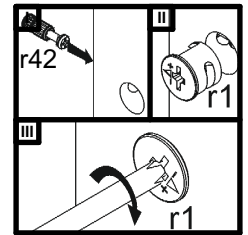
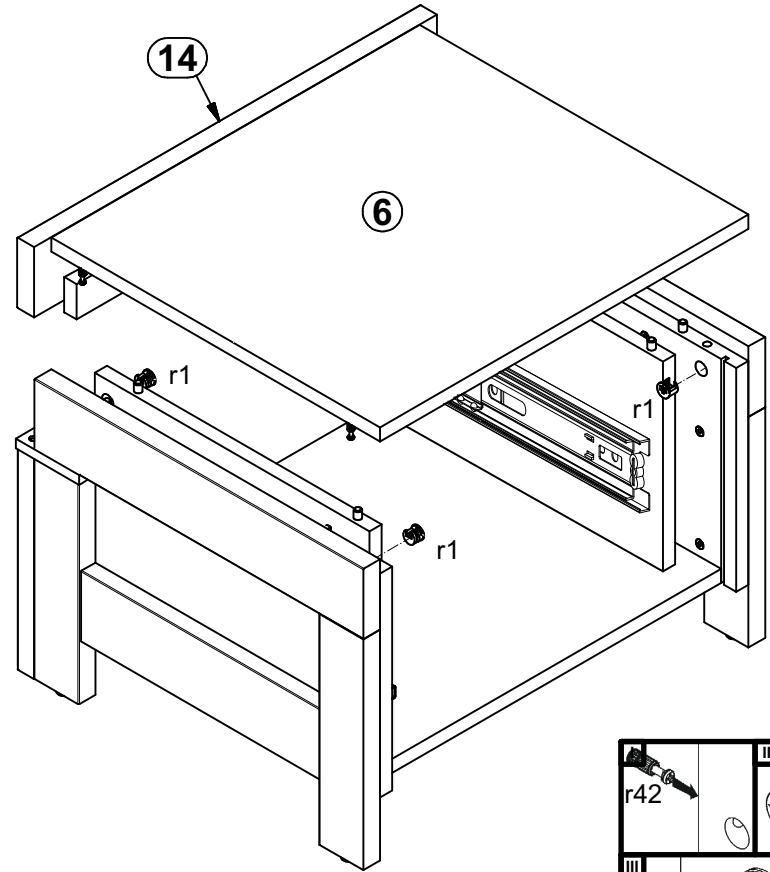
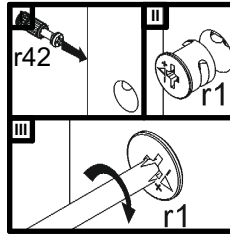
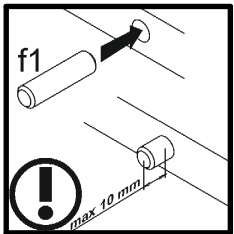
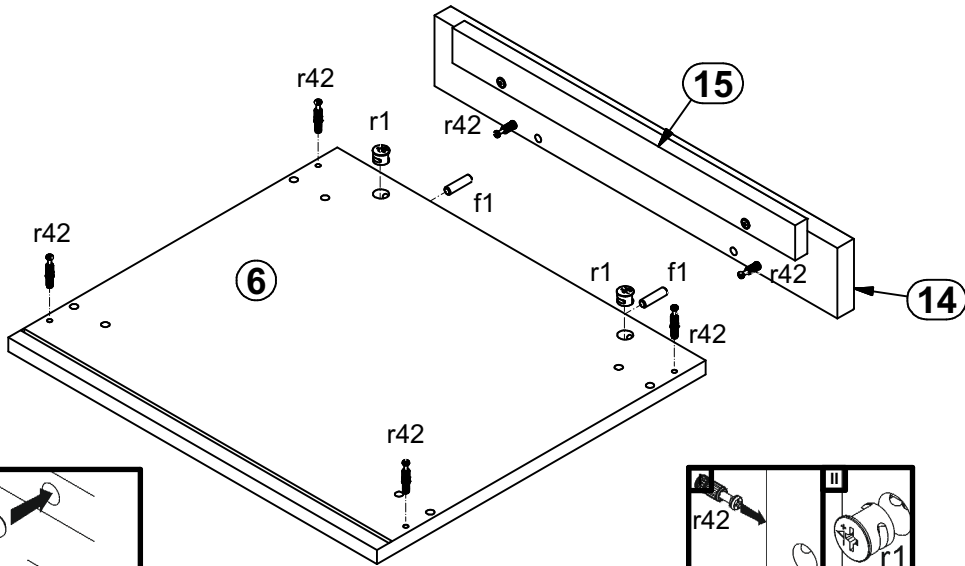
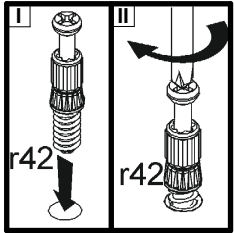
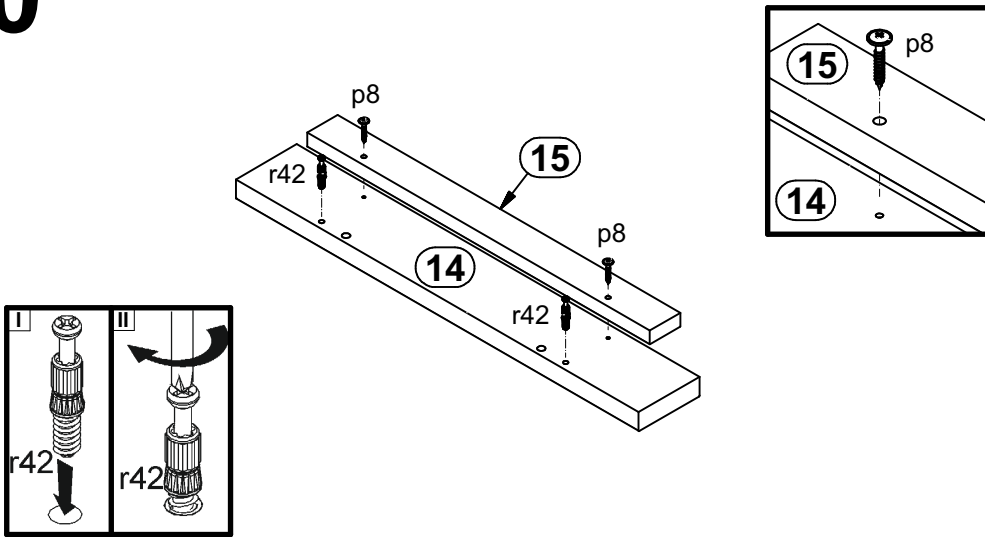
5



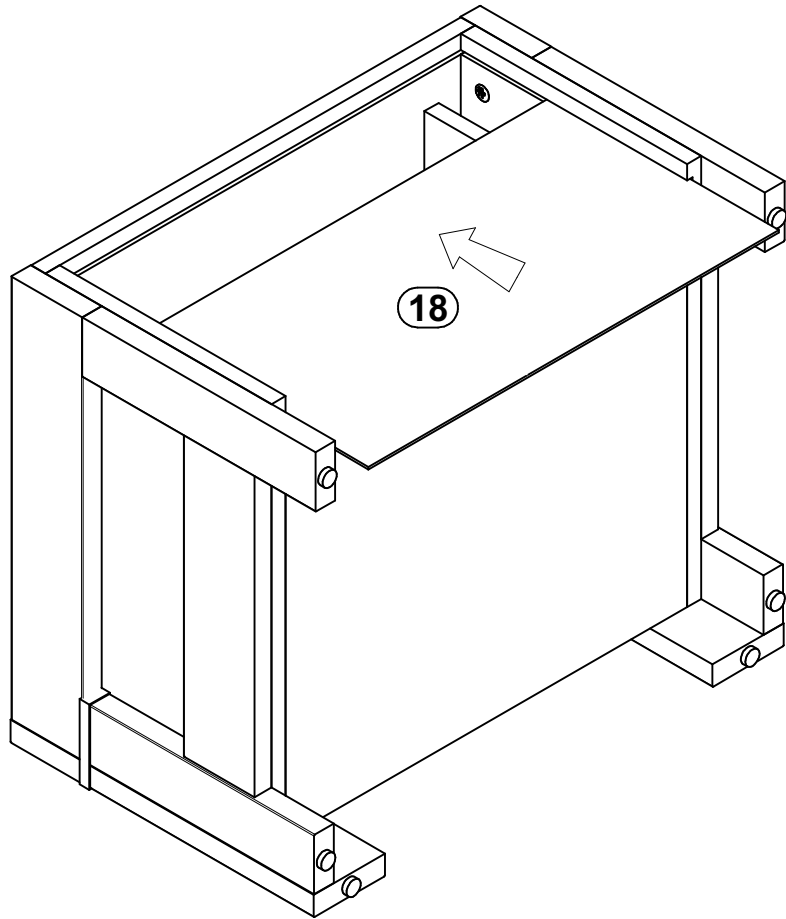
6



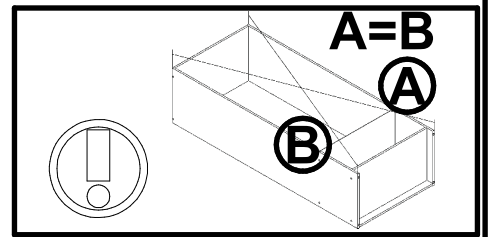
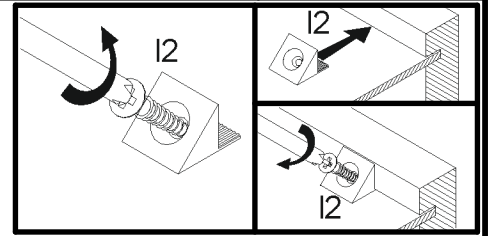
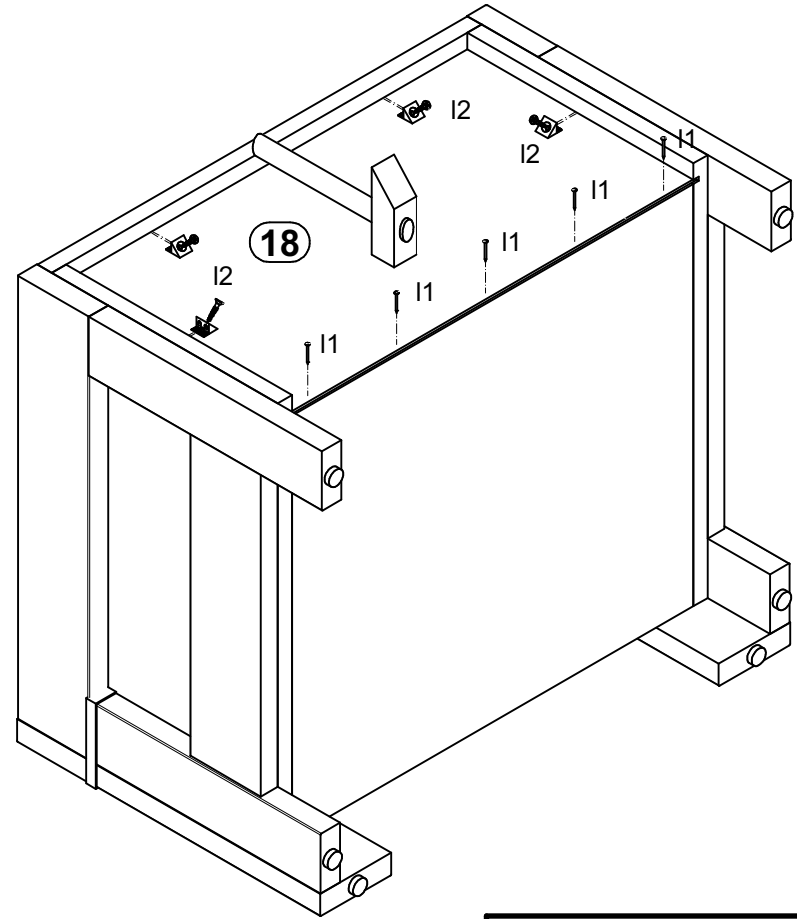
10



8

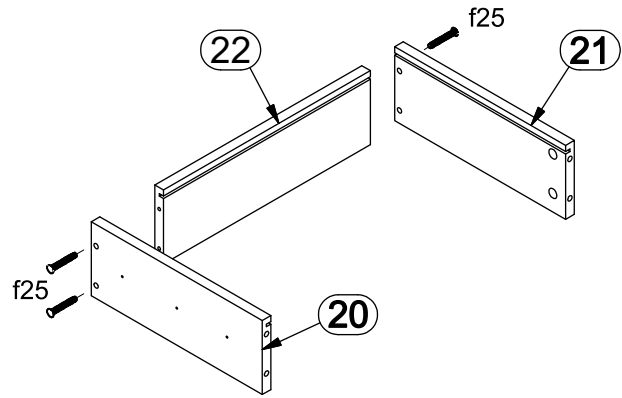


9

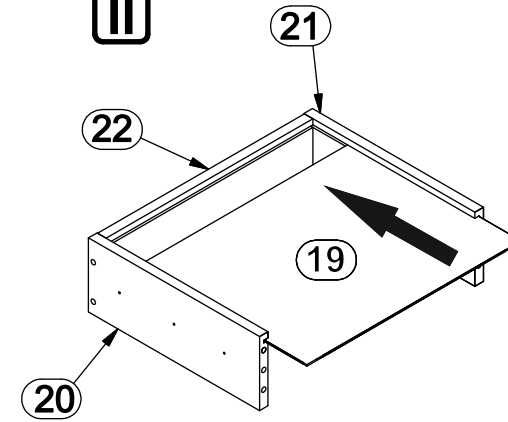


10

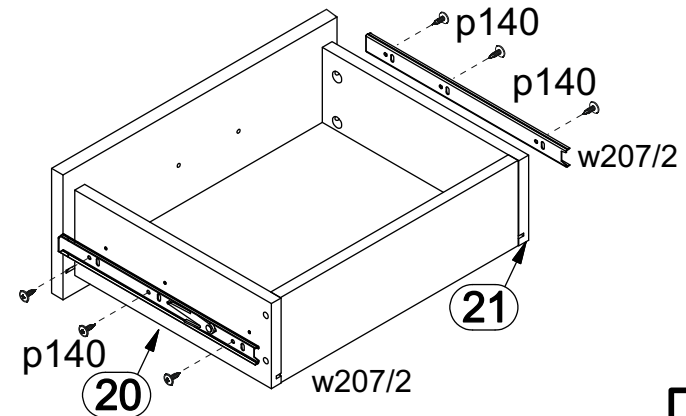
I



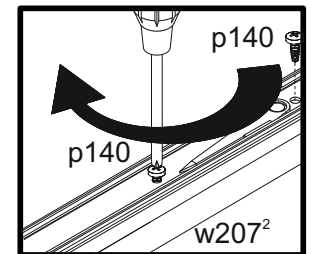
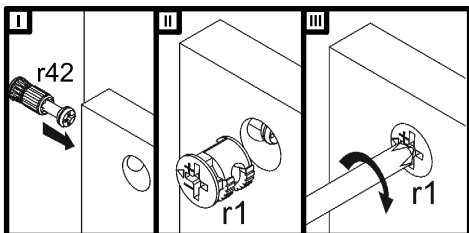
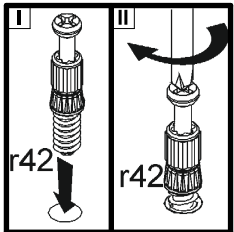
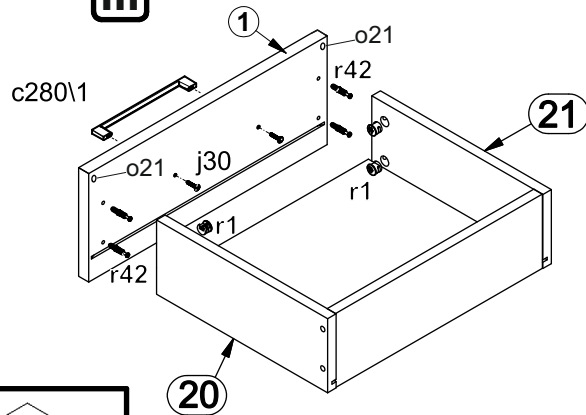
II



IV



III



11

